

OVERVIEW

The SM8223A is a FSK (Frequency shift keying) decoder and DTMF (Dual tone multi-frequency) receiver IC. It is fabricated using a CMOS process and features a power-down function for low power dissipation operation. The FSK decoder and DTMF receiver have the same performance characteristics as dedicated ICs that perform the same functions, with the added benefit of an FSK decoder/DTMF receiver auto-select function¹ using the telephone tip/ring input signal. It also features a ring (call signal) signal detection circuit, making for easy construction of low power dissipation, high-performance analog telephone-related applications.

FEATURES

- Both FSK signal caller-ID information services and DTMF signal caller-ID information services supported
- FSK decoder/DTMF receiver auto-select function
- Ring (call signal) signal detection circuit built-in
- Serial I/O
- Input gain adjustment circuit built-in
- Power-down mode
- Single supply operation: 3.0V ± 10%
- 3.579545MHz external crystal oscillator frequency
- Molybdenum-gate CMOS process

APPLICATIONS

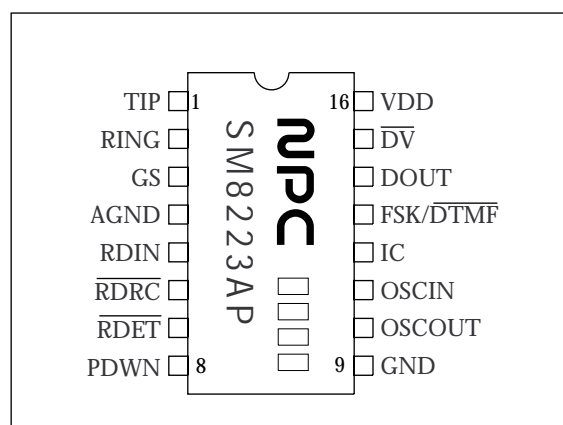
- Telephones, fax machines and modems that support caller-ID information services
- Adapters for caller-ID information service functions
- Telephones, fax machines and modems that support remote operation functions

ORDERING INFORMATION

Device	Package
SM8223A	16-pin DIP
CF8223A	Chip

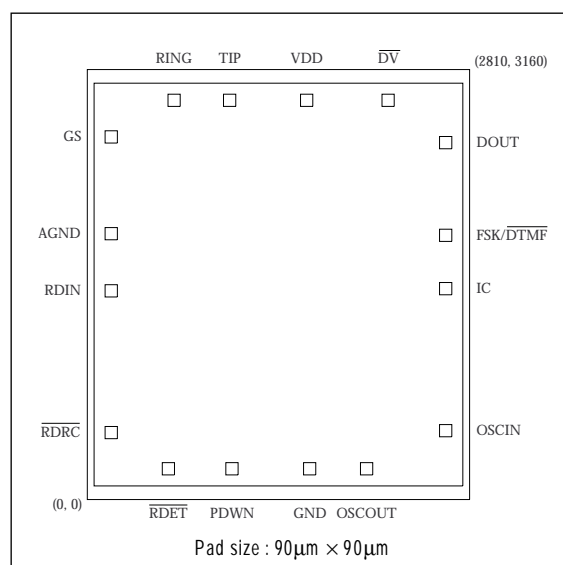
PINOUT

(Top view)



PINOUT

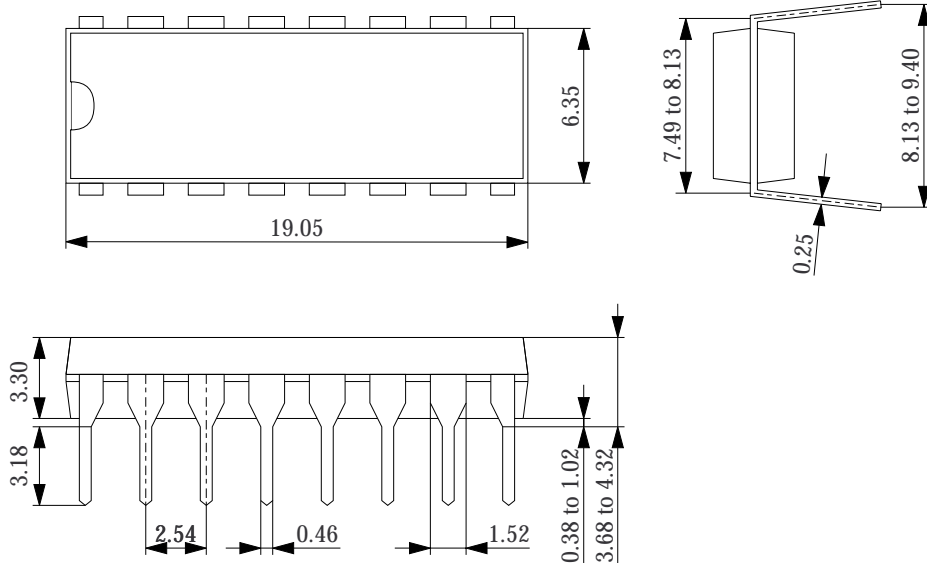
(Unit: μm)



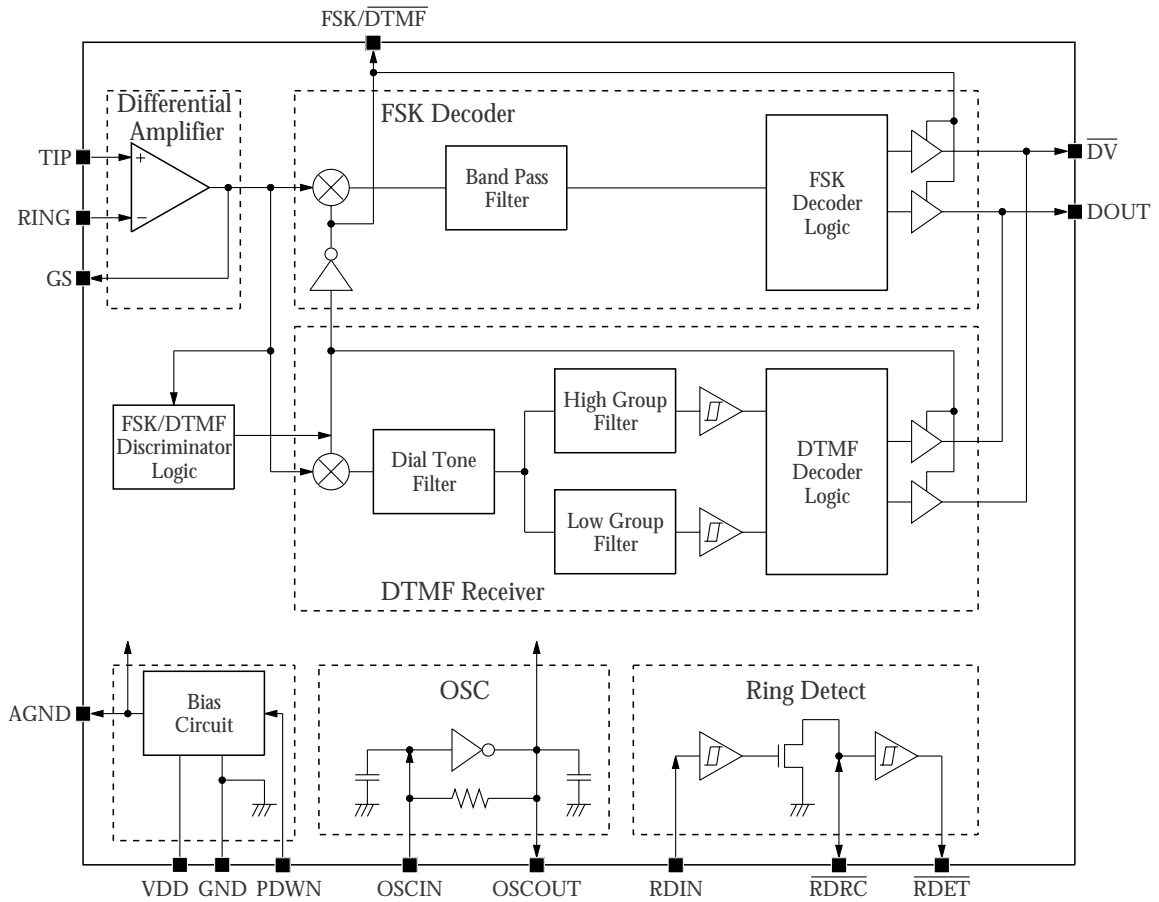
1. Auto-select function operates if the FSK signal conforms to the Bellcore GR-30-CORE standard.

PACKAGE DIMENSIONS

(Unit: mm)



BLOCK DIAGRAM



PIN DESCRIPTION

Number	Name	I/O	Function	Pad dimensions (μm)	
				X	Y
1	TIP	I	Tip input. Connected to the telephone line through a protection circuit	1046	2934
2	RING	I	Ring input. Connected to the telephone line through a protection circuit	638	2934
3	GS	O	Input-stage amplifier gain-select output. Used to adjust the gain of the input-stage amplifier.	176	2665
4	AGND	O	Analog ground output. Internal reference voltage ($V_{DD}/2$) output level	176	1954
5	RDIN	I	Ring detector input. Used for line reversal and ring signal detection. Connected for ring detection of attenuated ring signals.	176	1534
6	\overline{RDRC}	I/O	Ring detector RC terminal. Connected to an RC network which sets the ring detector delay time.	176	492
7	\overline{RDET}	O	Ring detector output. \overline{RDRC} -input Schmitt-trigger buffer output. LOW-level output when ring signal is detected.	596	226
8	PDWN	I	Power-down control input. LOW-level for normal operation. HIGH-level for power-down state. In the power-down state, pins AGND, OSCOUT, DOUT, and \overline{DV} are HIGH.	1063	226
9	GND	-	Ground. Connected to the system ground potential.	1634	226
10	OSCOU	O	Crystal oscillator output. The crystal oscillator element is connected between this pin and OSCIN.	2053	226
11	OSCIN	I	Crystal oscillator input. The crystal oscillator element is connected between this pin and OSCOUT.	2634	506
12	IC	I	Test input. Tied LOW for normal operation.	2634	1550
13	$\overline{FSK/DTMF}$	O	FSK/DTMF discriminator output. HIGH-level output when receiving FSK signal, and LOW-level output when receiving DTMF signal.	2634	1942
14	DOUT	O	Demodulator output. Demodulated FSK or DTMF signal output. HIGH-level output in power-down state.	2634	2623
15	\overline{DV}	O	Data trigger output. Data is output on DOUT when this pin goes LOW.	2211	2934
16	VDD	-	Supply	1612	2934

SPECIFICATIONS

Absolute Maximum Ratings

GND = 0V

Parameter	Symbol	Rating	Unit
Supply voltage range	V_{DD}	-0.5 to 5.0	V
Input voltage range	V_{IN}	-0.3 to $V_{DD} + 0.3$	V
DC input current	I_{IN}	± 10	mA
Storage temperature range	T_{stg}	-40 to 125	°C

Recommended Operating Conditions

GND = 0V

Parameter	Symbol	Condition	Rating			Unit
			min	typ	max	
Supply voltage	V_{DD}		2.7	-	3.3	V
Clock frequency	f_{CLK}		-	3.579545	-	MHz
Clock frequency accuracy	Δf_C		-0.1	-	+0.1	%
Operating temperature	T_a		-20	-	85	°C

DC Electrical Characteristics

 $V_{DD} = 3.0V \pm 0.3V$, GND = 0V, $f_{CLK} = 3.579545MHz$, $T_a = -20$ to $85^\circ C$ unless otherwise noted.

Parameter	Symbol	Condition	Rating			Unit
			min	typ	max	
Supply current consumption	I_{DD}	PDWN = 0V, RDIN = 0V, \overline{RDRC} = 0V, all other inputs open	-	-	4.5	mA
Power-down state current	I_{DPD}	PDWN = V_{DD} , RDIN = 0V, \overline{RDRC} = 0V, all other inputs open	-	-	15	μA
PDWN, RDIN, \overline{RDRC} LOW-level input voltage	V_{IL1}		-	-	$0.3V_{DD}$	V
PDWN, RDIN, \overline{RDRC} HIGH-level input voltage	V_{IH1}		$0.7V_{DD}$	-	-	V
OSCIN LOW-level input voltage	V_{IL2}	When external clock input	-	-	$0.3V_{DD}$	V
OSCIN HIGH-level input voltage	V_{IH2}	When external clock input	$0.7V_{DD}$	-	-	V
DOUT, \overline{DV} , \overline{RDET} , FSK/DTMF LOW-level output current	I_{OL}		2	-	-	mA
DOUT, \overline{DV} , \overline{RDET} , FSK/DTMF HIGH-level output current	I_{OH}		-	-	-0.8	mA
PDWN, RDIN input leakage current	I_{IN}		-1	-	1	μA
\overline{RDRC} output leakage current	I_{OFF}		-	-	1	μA

AC Electrical Characteristics

FSK decoder

$V_{DD} = 3.0V \pm 0.3V$, $GND = 0V$, $f_{CLK} = 3.579545MHz$, $T_a = -20$ to $85^\circ C$ unless otherwise noted.

Parameter	Symbol	Condition	Rating			Unit
			min	typ	max	
Detection sensitivity		Typical application circuit	-40	-37.5	0	dBm
Noise reduction ratio		Mark signal and SPACE signal are same level. Noise: Random noise from 200Hz to 3400Hz.	20	-	-	dB

DTMF receiver

$V_{DD} = 3.0V \pm 0.3V$, $GND = 0V$, $f_{CLK} = 3.579545MHz$, $T_a = -20$ to $85^\circ C$ unless otherwise noted.

Parameter	Symbol	Condition	Rating			Unit
			min	typ	max	
Detection frequency deviation		Typical application circuit	$\pm 1.5\% \pm 2$	-	-	Hz
Non-detection frequency deviation			± 3.5	-	-	%
Detection sensitivity			-32.0	-	0.0	dBm
Non-detection sensitivity			-	-	-50.0	dBm
Signal level error		Typical application circuit ¹	-	-	6	dB
High-frequency rejection ratio			-	18	-	dB
Noise rejection ratio			-	12	-	dB
Dial tone rejection ratio			-	20	-	dB

1. Input signal is up to V_{DD} level.

Input-stage amplifier Characteristics

$V_{DD} = 3.0V \pm 0.3V$, $GND = 0V$, $f_{CLK} = 3.579545MHz$, $T_a = -20$ to $85^\circ C$ unless otherwise noted.

Parameter	Symbol	Condition	Rating			Unit
			min	typ	max	
Input leakage current	I_{IN}		-	-	1	μA
Input resistance	R_{IN}		-	1	-	$M\Omega$
DC open-loop voltage gain	A_{VOL}		30	-	-	dB
Unity gain frequency	f_C		80	-	-	kHz
Load capacitance	C_L		-	-	100	pF
Load resistance	R_L		50	-	-	k Ω

Timing Characteristics

Oscillator

$V_{DD} = 3.0V \pm 0.3V$, $GND = 0V$, $T_a = -20$ to $85^\circ C$ unless otherwise noted.

Parameter	Symbol	Condition	Rating			Unit
			min	typ	max	
Clock HIGH-level pulsewidth	t_{WH}		110	-	-	ns
Clock LOW-level pulsewidth	t_{WL}		110	-	-	ns
Clock rise time	t_r		-	-	30	ns
Clock fall time	t_f		-	-	30	ns

FSK decoder

$V_{DD} = 3.0V \pm 0.3V$, $GND = 0V$, $f_{CLK} = 3.579545MHz$, $T_a = -20$ to $85^\circ C$ unless otherwise noted.

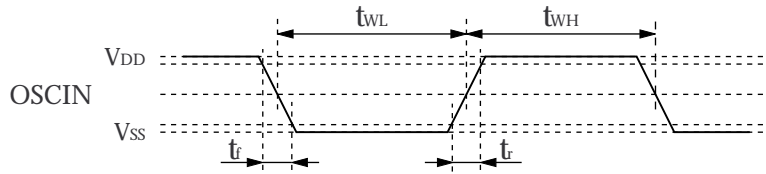
Parameter	Symbol	Condition	Rating			Unit
			min	typ	max	
Power-down release time	t_{DPD}		-	8	-	ms
Oscillator start-up time	t_{DOSC}		-	5	-	ms
Mark signal to \overline{DV} ON time	t_{DED}	$\overline{DV} = LOW$	-	-	3.75	ms
FSK flag setup time	t_{AF}		-	-	833 (1/1.2kHz)	μs
FSK flag hold time	t_{AH}		-	-	10	ns
Input to DOUT delay time	t_{ADD}		-	1	5	ms
DOUT rise time	t_{Dr0}		-	-	20	ns
DOUT fall time	t_{Df0}		-	-	20	ns
DOUT data rate	$t_{DWL/H}$		1188	1200	1212	baud

DTMF receiver

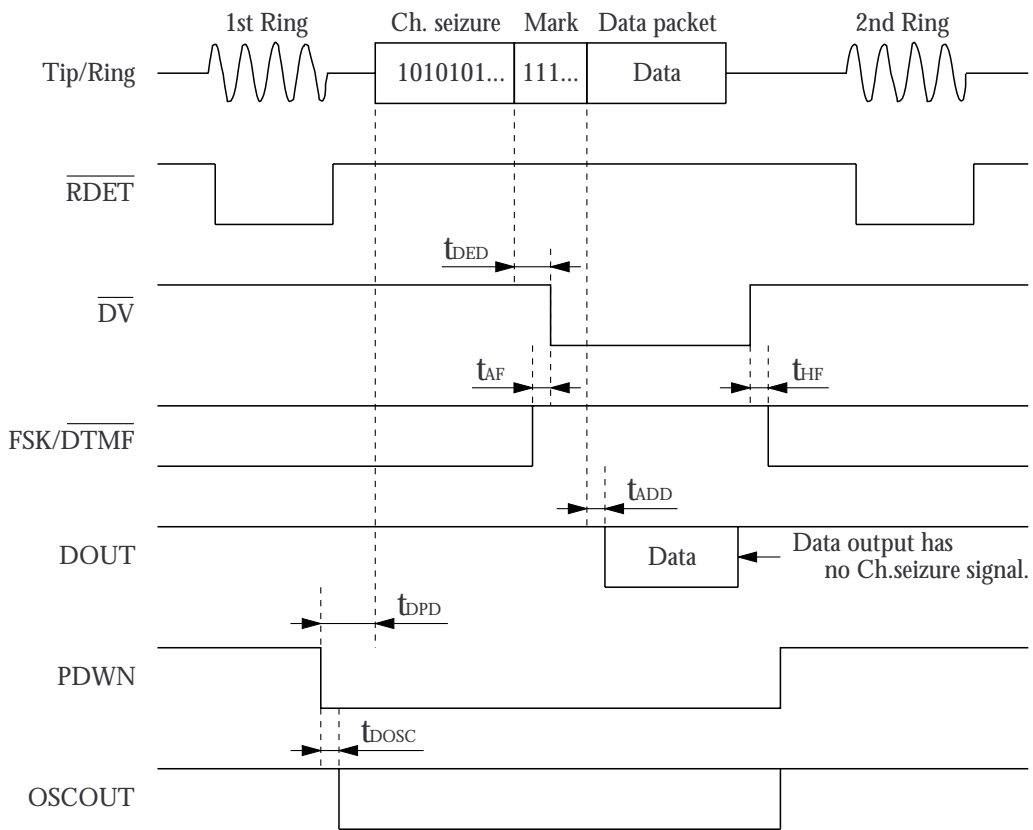
$V_{DD} = 3.0V \pm 0.3V$, $GND = 0V$, $f_{CLK} = 3.579545MHz$, $T_a = -20$ to $85^\circ C$ unless otherwise noted.

Parameter	Symbol	Condition	Rating			Unit
			min	typ	max	
DOUT, \overline{DV} rise time	t_{Dr0}		-	-	20	ns
DOUT, \overline{DV} fall time	t_{Df0}		-	-	20	ns
Signal detection time	t_{RE}	\overline{DV}	-	-	45	ms
Received signal non-detection time	t_{RE}	\overline{DV}	20	-	-	ms
Pause detection time	t_{PA}	\overline{DV}	-	-	25	ms
Pause non-detection time	t_{PR}	\overline{DV}	20	-	-	ms
\overline{DV} output data delay time	t_{BDD}		-	-	5	ms
Power-down release time	t_{DPD}		-	8	-	ms
Oscillator start-up time	t_{DOSC}		-	5	-	ms
DOUT data rate	$t_{DWL/H}$		1188	1200	1212	baud
DTMF flag setup time	t_{AF}		-	-	833 (1/1.2kHz)	μs

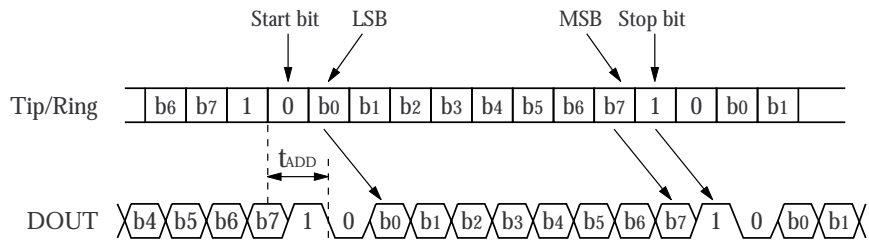
OSCIN input timing (when external input)



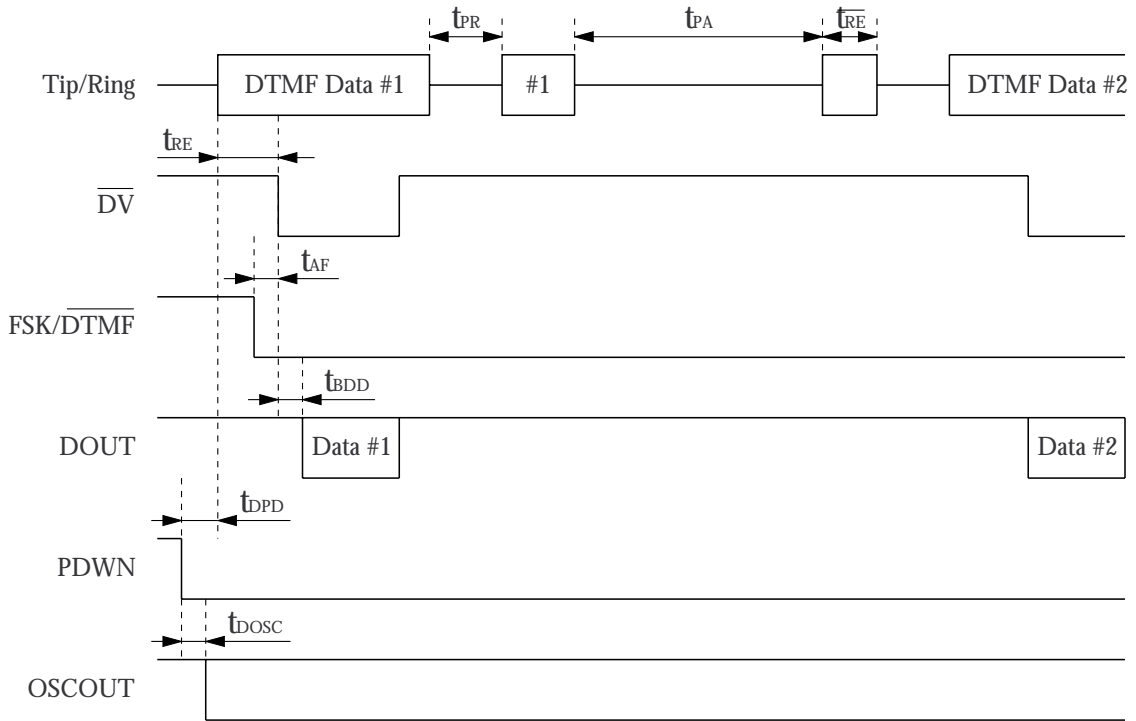
FSK receive timing (1)



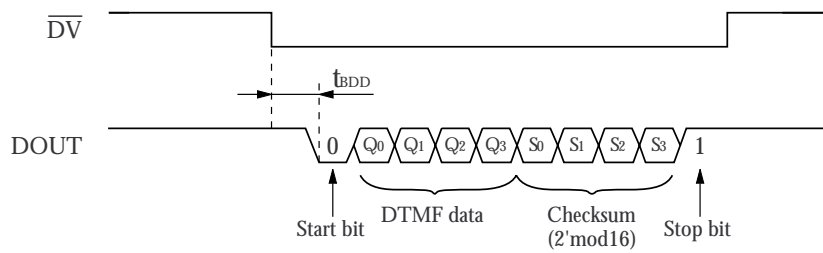
FSK receive timing (2)



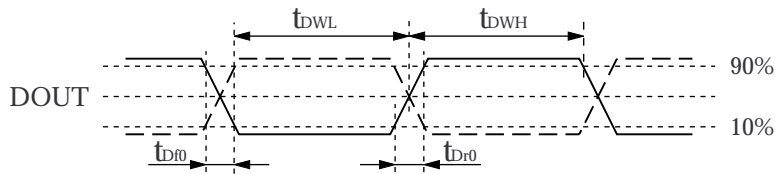
DTMF receive timing (1)



DTMF receive timing (2)



(FSK/DTMF) DOUT output timing



FUNCTIONAL DESCRIPTION

Ring Signal Detector

The telephone tip and ring signals pass through a protection circuit and are input to a resistor, capacitor and diode bridge network, shown in figure 1.

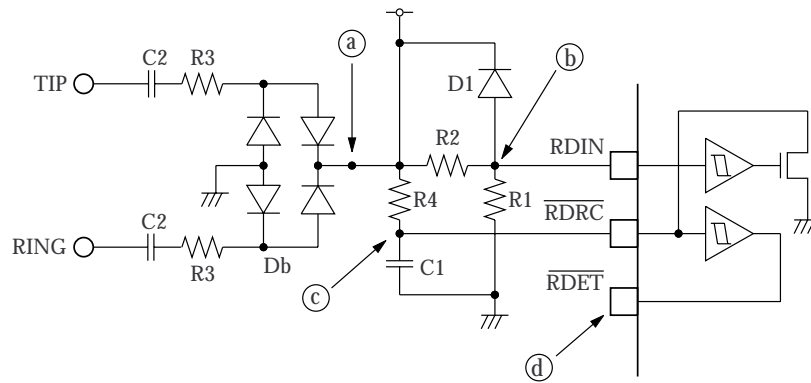


Figure 1. Ring signal detector circuit

The diode bridge full-wave rectified output signal (point a) is reduced in level by a resistor voltage divider comprising R_1 and R_2 (point b), and then input on RDIN. When the ring signal input on RDIN exceeds the Schmitt buffer trigger voltage ($0.7V_{DD}$), the output switches the open-drain \overline{RDRC} pin. The signal at \overline{RDRC} (point c) drives a time-constant cir-

cuit comprised by resistor R_4 and capacitor C_1 connected to the input of a second Schmitt buffer to generate the detector signal output on \overline{RDET} (point d). Thus, \overline{RDET} goes LOW when the ring or tip signal exceeds the level set by the resistor voltage divider.

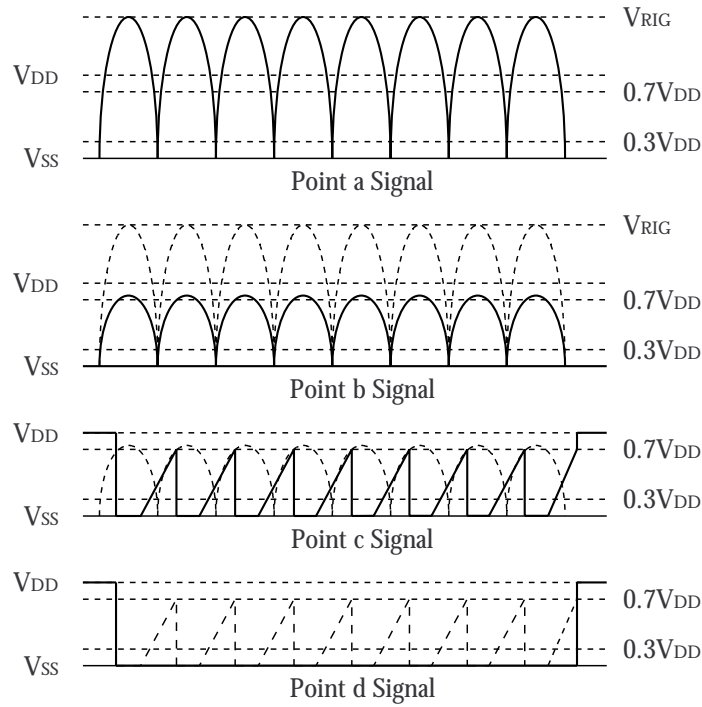


Figure 2. Ring signal detector circuit waveform transitions

The voltage divider level and RC time constant are given by the following equations, respectively.

$$0.7V_{DD} = \frac{R_1}{R_1 + R_2 + R_3} \cdot V_{RIG}$$

$$C_1 R_4 = \frac{t}{\ln\left(\frac{V_{DD}}{V_{DD} - V_T}\right)}$$

where t is the guard time, and the trigger level satisfies the expression $0.3V_{DD} \leq V_T \leq 0.7V_{DD}$.

Input Differential Amplifier

The SM8223A uses an input differential amplifier for input gain adjustment of the tip/ring signal input to the FSK detector or DTMF receiver. Differential input configuration and single-ended input configuration

circuits are shown in figure 3. A bypass capacitor should be connected between GND and AGND in both circuit configurations.

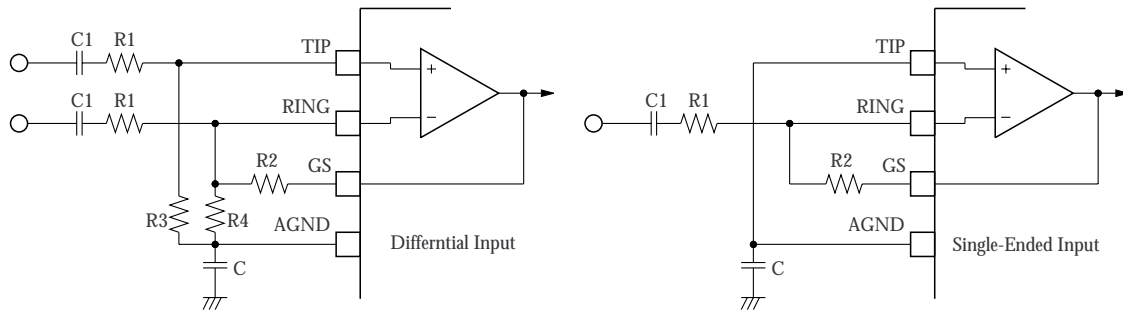


Figure 3. Input circuits

The gain for single-ended configurations is given by the following equation.

$$A_V = \frac{R_2}{R_1}$$

The gain for differential configurations is given by the following equation,

$$A_V = \frac{R_2}{R_1} \text{ where } R_3 = \frac{R_2 R_4}{R_2 + R_4}$$

and the input impedance is given by the following equation.

$$Z_i = 2 \sqrt{R_1^2 + \left(\frac{1}{\omega C_1}\right)^2}$$

FSK/DTMF Auto-discriminator

The SM8223A examines the tip/ring input signal and determines the nature of the signal, FSK or DTMF, and invokes the corresponding circuits, FSK decoder or DTMF receiver, respectively. It determines whether the input signal is an FSK signal or DTMF

signal by the presence or otherwise of the channel seizure information in the FSK signal header. This function automatically discriminates between the input signals if the FSK signal conforms to the Bellcore GR-30-CORE standard.

FSK Demodulator

When an FSK signal is received, the FSK/DTMF signal discriminator circuit sets the FSK/DTMF pin HIGH and connects the input signal to the FSK demodulator circuit. Demodulated data is output on DOUT with the format shown in figure 4. The FSK signal conforms to the following Bellcore standard.

Table 1. FSK signal

Parameter	Description
Modulation type	Continuous-phase binary frequency-shift-keying
Logic "1" data (mark)	1200 ± 12 Hz
Logic "0" data (space)	2200 ± 22 Hz
Signal level (mark)	-32 to -12 dBm
Signal level (space)	-36 to -12 dBm
Data transfer rate	1200 ± 12 baud

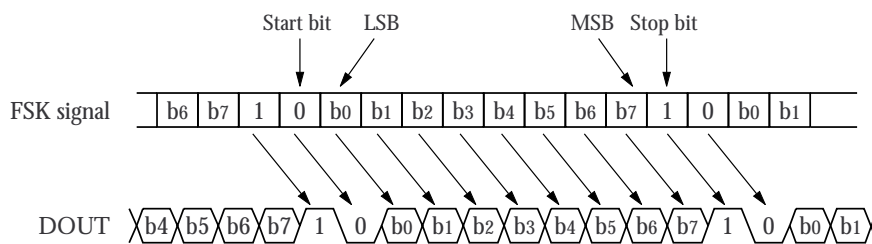


Figure 4. FSK signal to DOUT output

DTMF Demodulator

When a DTMF signal is received, the FSK/DTMF signal discriminator circuit sets the FSK/DTMF pin LOW and connects the input signal to the DTMF demodulator circuit. The DTMF signal is comprised by a high-group frequency and a low-group frequency which, in combination, represent a point in the DTMF matrix.

Table 2. DTMF matrix

Low group	High group			
	1209Hz	1336Hz	1477Hz	1633Hz
697Hz	1	2	3	A
770Hz	4	5	6	B
852Hz	7	8	9	C
941Hz	*	0	#	D

The DTMF receiver demodulates the received DTMF signal and outputs data bits Q₀ to Q₃ and a 4-bit (2-mod-16) checksum S₀ to S₃ in serial format on DOUT.

Table 3. DTMF signal output (DOUT)

Matrix input	DTMF				Checksum			
	D ₀	D ₁	D ₂	D ₃	D ₄	D ₅	D ₆	D ₇
	Q ₀	Q ₁	Q ₂	Q ₃	S ₀	S ₁	S ₂	S ₃
1	1	0	0	0	1	1	1	1
2	0	1	0	0	0	1	1	1
3	1	1	0	0	1	0	1	1
4	0	0	1	0	0	0	1	1
5	1	0	1	0	1	1	0	1
6	0	1	1	0	0	1	0	1
7	1	1	1	0	1	0	0	1
8	0	0	0	1	0	0	0	1
9	1	0	0	1	1	1	1	0
0	0	1	0	1	0	1	1	0
*	1	1	0	1	1	0	1	0
#	0	0	1	1	0	0	1	0
A	1	0	1	1	1	1	0	0
B	0	1	1	1	0	1	0	0
C	1	1	1	1	1	0	0	0
D	0	0	0	0	0	0	0	0

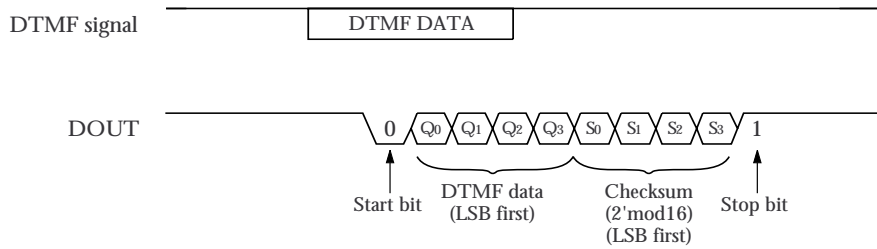
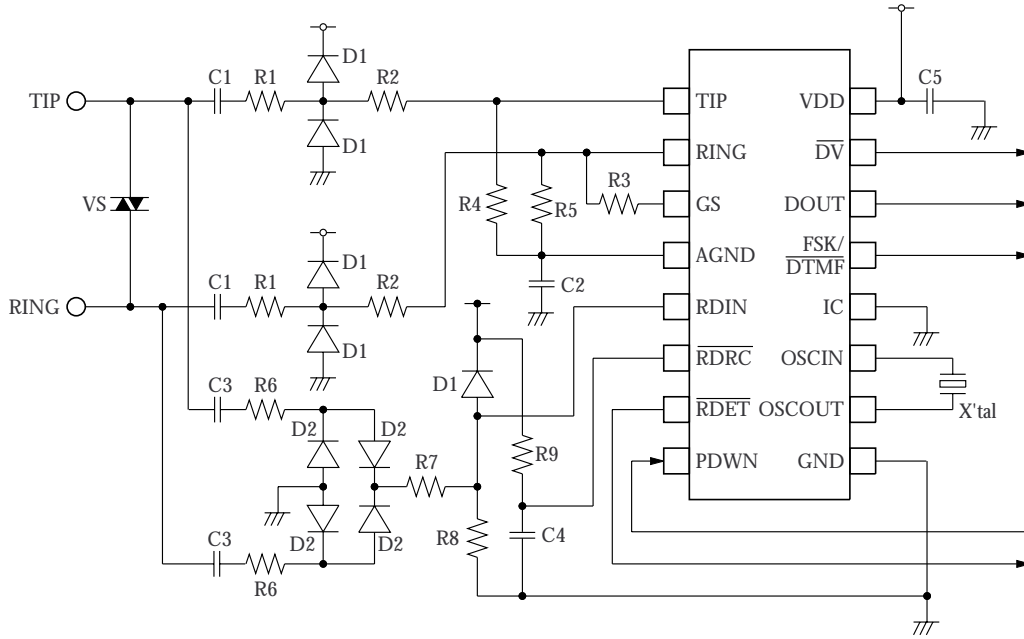


Figure 5. DTMF signal to DOUT output

The DTMF receiver determines whether the received data (DTMF signal) is valid after an interval of $t_{REC} \geq 40\text{ms}$ stable reception. If valid, \overline{DV} goes LOW and data is output on DOUT. If DTMF data is not detected after an interval $t_{SPA} \geq 20\text{ms}$, a data pause is activated and the next DTMF signal is in a

wait state (see timing diagrams in AC Electrical Characteristics). The SM8223A DTMF receiver can be used as a general-purpose DTMF receiver without the need for the external time constant circuit, in which case the resistor/capacitor/diode network can be omitted.

TYPICAL APPLICATION CIRCUIT



Symbol	Rating	Unit
R ₁ ¹	240	kΩ
R ₂ ¹	34	kΩ
R ₃ ¹	464	kΩ
R ₄ ¹	53.6	kΩ
R ₅ ¹	60.4	kΩ
D ₁	1N4003	-
C ₁	22	nF
C ₂	0.1	μF
R ₆ ²	430	kΩ
R ₇ ²	270	kΩ
R ₈ ²	27	kΩ
R ₉ ²	270	kΩ
C ₃	22	nF
C ₄ ²	470	nF
D ₂	1N4004	-
C ₅	0.1	μF
VS	-	-
X'tal	3.579545	MHz

1. Refer to the Input Differential Amplifier.
2. Refer to the Ring Signal Detector.

NIPPON PRECISION CIRCUITS INC. reserves the right to make changes to the products described in this data sheet in order to improve the design or performance and to supply the best possible products. Nippon Precision Circuits Inc. assumes no responsibility for the use of any circuits shown in this data sheet, conveys no license under any patent or other rights, and makes no claim that the circuits are free from patent infringement. Applications for any devices shown in this data sheet are for illustration only and Nippon Precision Circuits Inc. makes no claim or warranty that such applications will be suitable for the use specified without further testing or modification. The products described in this data sheet are not intended to use for the apparatus which influence human lives due to the failure or malfunction of the products. Customers are requested to comply with applicable laws and regulations in effect now and hereinafter, including compliance with export controls on the distribution or dissemination of the products. Customers shall not export, directly or indirectly, any products without first obtaining required licenses and approvals from appropriate government agencies.



NIPPON PRECISION CIRCUITS INC.

4-3, Fukuzumi 2-chome
Koto-ku, Tokyo 135-8430, Japan
Telephone: 03-3642-6661
Facsimile: 03-3642-6698

NC9909AE 2000.02

This datasheet has been download from:

www.datasheetcatalog.com

Datasheets for electronics components.