

Description

Parameters:

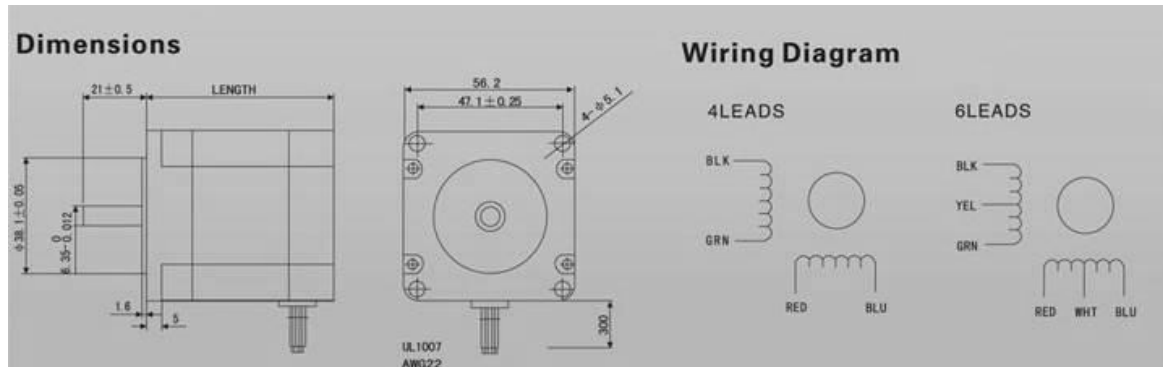
- Step Angle Accuracy: +5%(full step, no load)
- Resistance Accuracy: +10%- Inductance Accuracy: +20%
- Temperature Rise: 80 Degrees Celsius CMax.(rated current,2 phase on)- Ambient Temperature: -10°C-+50°C
- Insulation Class: B
- Dielectric Strength: 500V AC for one minute
- Shaft Radial Play: 0.06Max.(450g-load)
- Shaft Axial Play: 0.08Max.(450 g-load)

Specifications:

Model	Step angle	Motor length	Rated current	Phase resistance	Phase inductance	Holding torque	Lead wire	Rotor inertia	Weight
Single Shaft	°	L(mm)	A	Ω	mH	Oz-in Kgf.cm	No.	g.cm ²	kg
57BYGH56-401A	1.8	56	2.8	0.9	2.5	175 12.6	4	300	0.7

We also manufacture products according to customer's requirements. If you have any other need, please contact us.

Dimensions:



Package included:

- 1 x 57BYGH56-401A stepper motor

Important Note:

- We aim to achieve a 5 stars rating for each and every transaction.
- If you are not 100% satisfied, **PLEASE** don't leave a neutral or negative but contact us **First** so that we can help you.
- Also please note that due to the recent Air Cargo Security Alerts, there may be delays totally outside our control.

Shipping

- Item will be shipped within 3 business days of cleared payment via Post Airmail.
- Only shipped to buyer's PayPal address, please confirm your address on PayPal before you bid.
- Usually takes 7-20 business days to most Countries: US, Canada, UK, Australia and Europe.
- Optionally, Express Shipments with tracking service via EMS/DHL/UPS with a quoted delivery time of 5 to 7 business days is also available .

Refund

- It is buyer's responsibility to contact us within 30 calendar days of receiving a defective product. Otherwise, no replacement or refund will be made. All items **MUST** be returned in their original condition.
- Buyer is responsible for shipping and proof of delivery on all returns.