

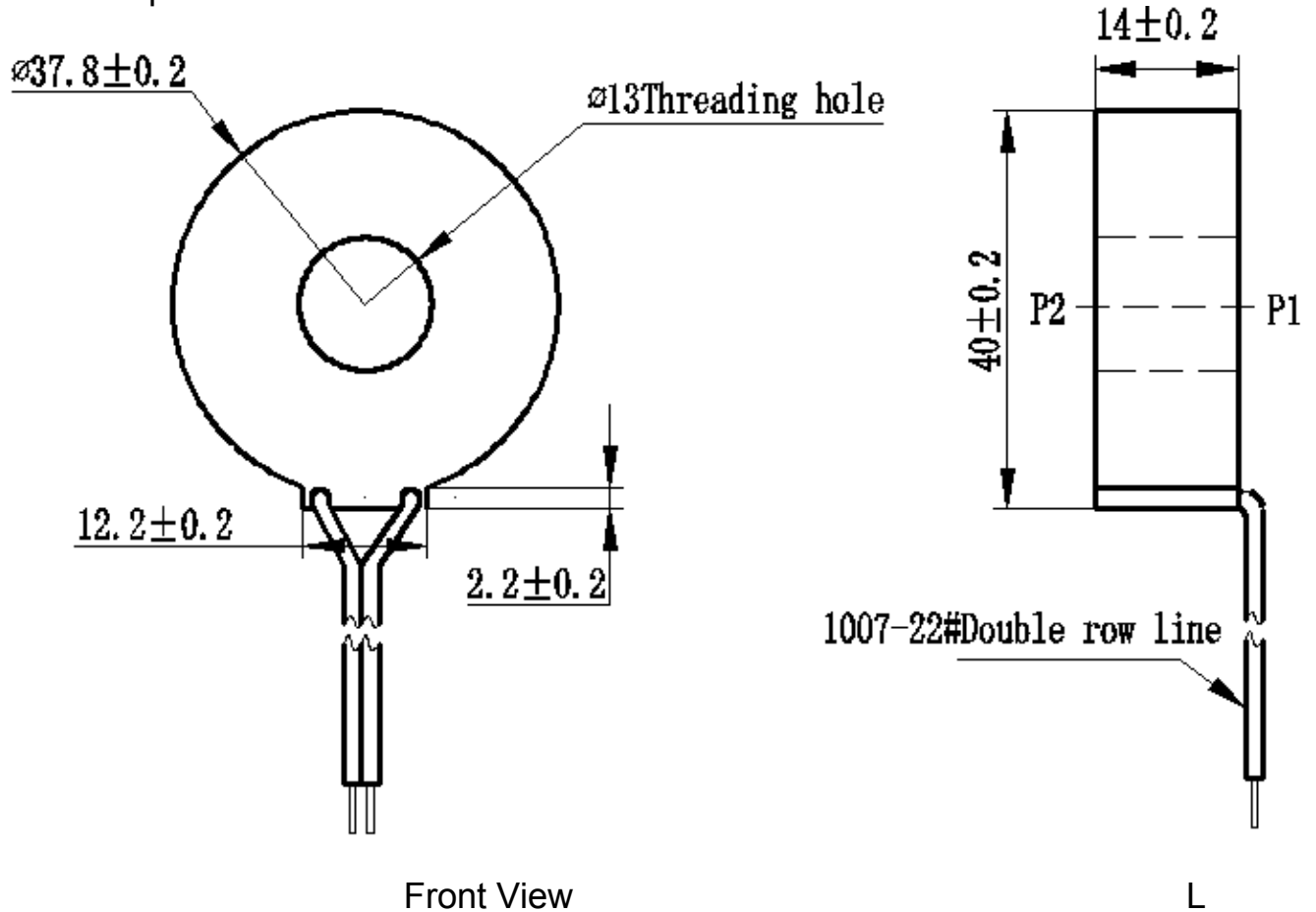
Product Description

ZEMCT303A Current Transformer

Application: Mainly for motor soft-start current sampling

Key words: current transformer

Structural parameters:



ateral view

The main technical parameters:

Model	ZEMCT303A
Rated input current	5~40A
Rated output current	5~40mA
Turns ratio	1000:1
phase angle error	$\leq 200'$ (input 10A,sampling resistor 5 Ω)
linear range	0~400A(sampling resistor 5 Ω)

linearity	≤5%(5%dot~120%dot)
Permissible error	-5% ≤ f ≤0(input 10A,sampling resistor 5Ω)
Output leads	Red, black(same polarity: P1 and red wire)
application	motor soft-start current sampling
Encapsulation	Epoxy
installation	Straight-through type
operating temperature	-40°C~+85°C

Direction for use:



$$U = \frac{I}{1000} \cdot R$$

I: input current
R: sampling resistor
U: sampling volatge

1. ZEMCT303A used for protection. Typical usage as shown.