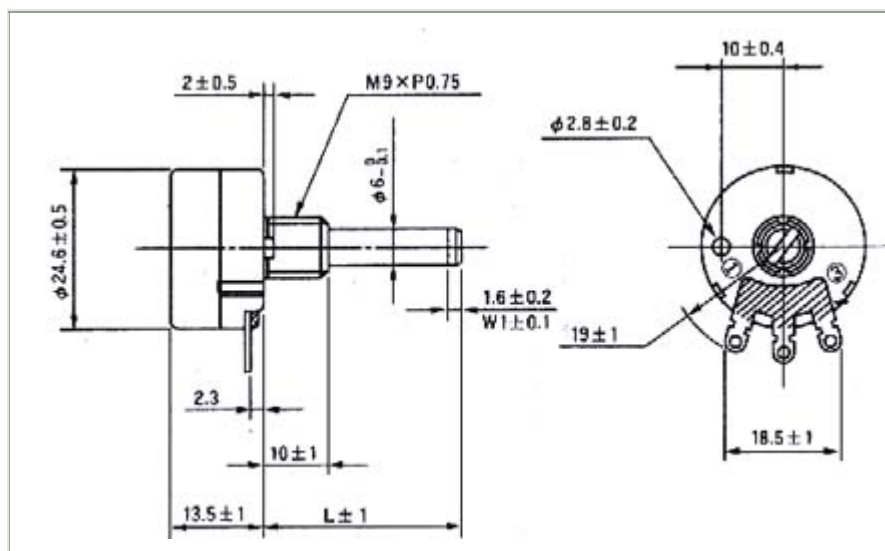


DATA SHEET FOR POTENTIOMETER RV24YN

1. Picture:



2. Dimension:



3. Specification:

Resistance Range: $50\Omega \sim 2M\Omega$

Resistance Tolerance: $\pm 10\%$,

Angle of Rotation: $280^\circ \pm 10^\circ$

Rated Voltage: 315V

Rated Power: 0.25W

Torque: 51~306gf.cm

Machine endurance: 15000 Cycles