

N20/30

FF030

RF130

BLDC
1632

FF130

FF180

RF500

RF300

RF310

094

BLDC
2035

370

2418

2430

385

2838

395

30-C

32-C

40-C

32ZY13

32ZY25

520

BLDC
520

380

555

BLDC
3640

775

38S

BLDC
38S

45S

BLDC
45S

50S

BLDC
50S

60S

BLDC
60S

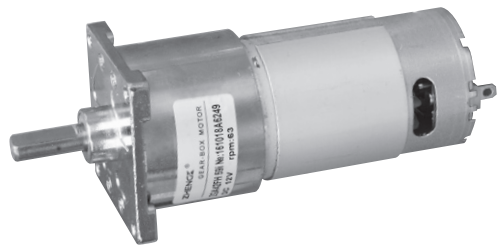
80S

稳压器

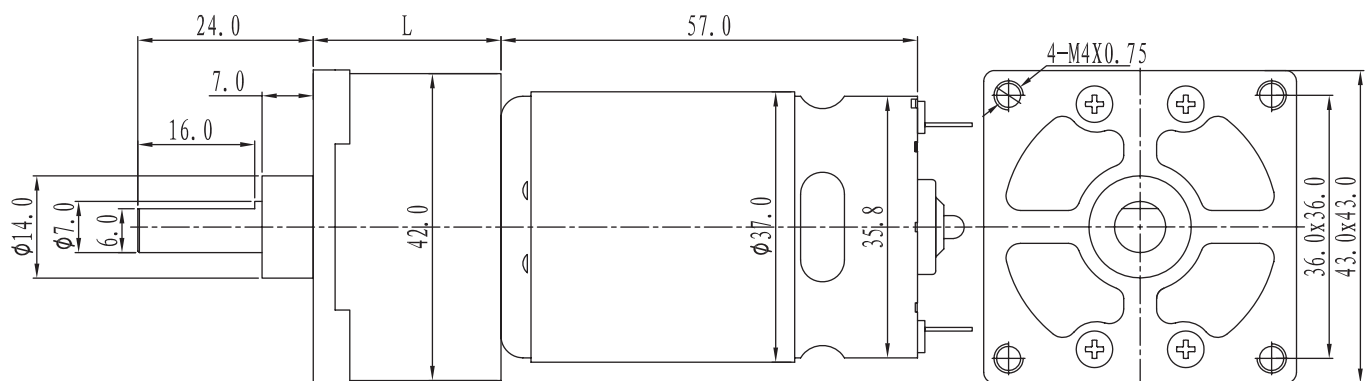
同步
电机永磁
直流电机交流
可逆电机

ZGA42FH(A7038)

| | |
|--------------------------|----------------|
| Housing Material | Zinc-Steel |
| Bearing | Sleeve Bearing |
| Radial Force | ≤ 1 kgf |
| Axial Force | ≤ 0.7 kgf |
| Max.Axial Pressing Force | ≤ 5 kgf |
| Radial Play | ≤ 0.1 mm |
| Axial Play | ≤ 0.5 mm |



Dimension(mm)



Specifications

| DC Motor | Reduction Ratio | 1/8.3 | 1/18.2 | 1/22.2 | 1/27.3 | 1/59 | 1/72.9 | 1/158 |
|-------------------------|-----------------------|-------|--------|--------|--------|------|--------|-------|
| ZYTD-555 (12V-3700R) | Noload(r/min) | 450 | 205 | 170 | 140 | 63 | 51 | 24 |
| | Onload(r/min) | 375 | 170 | 140 | 110 | 53 | 43 | 21 |
| | Onload Torque(kgf.cm) | 1.1 | 2.1 | 2.6 | 3.2 | 6.5 | 8.2 | 12 |
| ZYTD-555 (24V-5300R) | Noload(r/min) | 650 | 300 | 240 | 200 | 91 | 74 | 34 |
| | Onload(r/min) | 540 | 245 | 200 | 165 | 77 | 65 | 31 |
| | Onload Torque(kgf.cm) | 1.5 | 3.1 | 3.8 | 4.7 | 9 | 9 | 12 |
| Default Direction | | CW | CCW | | CW | | CCW | |

Gearbox Specifications

| Reduction Ratio | L | Stages | Allowable Torque | |
|-----------------|------|--------|------------------|--------|
| | mm | | mN.m | kgf.cm |
| 1/8.3 | 29.7 | 3 | 392 | 4 |
| 1/18.2~1/27.3 | 29.7 | 4 | 686 | 7 |
| 1/59~1/72.9 | 33.5 | 5 | 882 | 9 |
| 1/158 | 36.7 | 6 | 1176 | 12 |