

Products

AC-DC(Non-isolated)

Chipown > Products > AC-DC(Non-isolated)

LV Product Line

HV Product Line

AC-DC(SSR)

AC-DC(PSR)

AC-DC(SR)

AC-DC(Non-isolated)

LED Lighting

Half-Bridge Driver

Display Driver

NeoFET

Others

Popular !

PN8026R

PN8026R



Non-isolated PWM converters

General Description

The PN8026R consists of an integrated Pulse Width Modulator (PWM) controller and power MOSFET, specifically designed for small power non-isolated switching power supply. PN8026R offers fully intelligitized protection including Cycle-by-Cycle current limiting (OCP), Over Voltage Protection (OVP), Over Load Protection (OLP), Under Voltage Lockout and Over Temperature Protection (OTP). Excellent EMI performance is achieved with Pulse Frequency Modulation. PN8026R also consists of the high voltage start-up circuit to ensure that start quickly. The application need less component device.

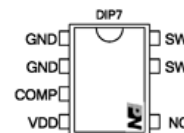
Features

- Be optimized with 12V output non-isolated application
- 85~265V_{AC} wide input voltage scope
- Frequency modulation for low EMI
- Internal HV Start-up Circuit
- Open frame output power >6W @230VAC
- Excellent constant voltage regulation and High efficiency
- Excellent Protection Coverage:
 - ◇ Adjustable Over Current Protection (OCP)
 - ◇ Over Temperature Protection (OTP)
 - ◇ Over Load Protection (OLP)
 - ◇ over voltage protection (OVP)

Applications

- non-isolated assistant power supply

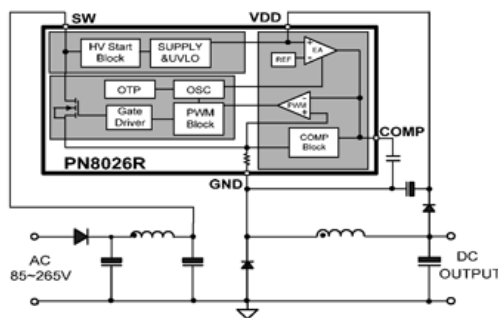
Package/Order Information



| Order codes | Package | Typical power |
|---------------|---------|-------------------------|
| | | 150~265 V _{AC} |
| PN8026RNSC-T1 | DIP7 | 9W |

Note: Maximum practical continuous power in an open frame design at 75 °C ambient, with adequate heat sinking.

Typical Circuit



Note: If you need product datasheet or design reference report, please click here.>>

[Back] [Print]