

Features

- Low power consumption
- Low voltage drop
- Low temperature coefficient
- High input voltage (up to 24V)
- High output current : 100mA
- Output voltage accuracy: tolerance $\pm 1\%$
- TO92, SOT89 and SOT23-5 packages

Applications

- Battery-powered equipment
- Communication equipment
- Audio/Video equipment

General Description

The HT75XX-2 series is a set of three-terminal low power high voltage implemented in CMOS technology. They can deliver 100mA output current and allow an input voltage as high as 24V. They are available with several fixed output voltages ranging from 2.1V to 12.0V.

CMOS technology ensures low voltage drop and low quiescent current.

Although designed primarily as fixed voltage regulators, these devices can be used with external components to obtain variable voltages and currents.

Selection Table

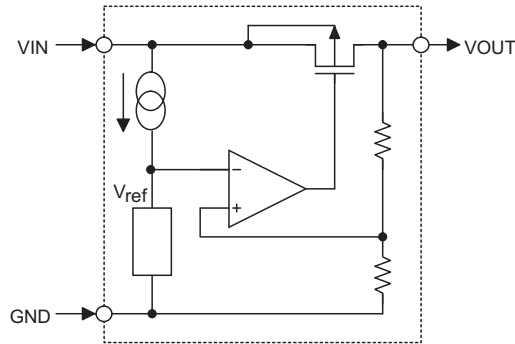
Part No.	Output Voltage	Package	Marking
HT7521-2	2.1V	TO92 SOT89 SOT23-5	75XX-2# (for TO92) 75XX-2# (for SOT89) 5XX2+ (for SOT23-5-A)
HT7523-2	2.3V		
HT7525-2	2.5V		
HT7527-2	2.7V		
HT7530-2	3.0V		
HT7533-2	3.3V		
HT7536-2	3.6V		
HT7540-2	4.0V		
HT7544-2	4.4V		
HT7550-2	5.0V		
HT7560-2	6.0V		
HT7570-2	7.0V		
HT7580-2	8.0V		
HT7590-2	9.0V		
HT75A0-2	10.0V		
HT75C0-2	12.0V	SOT23-5	541B+ (for SOT23-5-B)
HT7541-2	4.15V		

Note: "XX" stands for output voltages.

"#" stands for Lead-free devices.

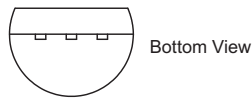
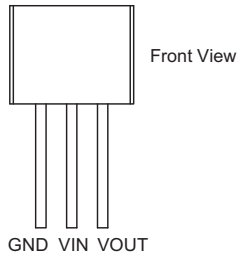
"+" stands for green compound devices, which are Lead-free and Halogen-free.

Block Diagram

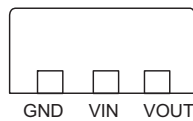
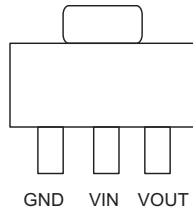


Pin Assignment

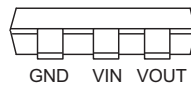
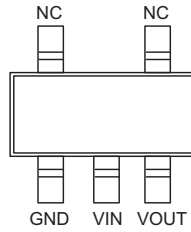
TO92



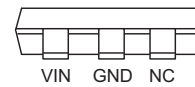
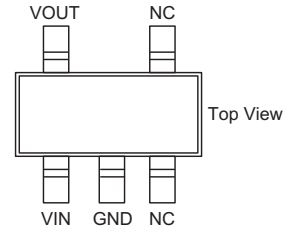
SOT89



SOT23-5-A



SOT23-5-B



Absolute Maximum Ratings

Supply Voltage-0.3V to 26V Storage Temperature-50°C to 125°C
 Operating Temperature-40°C to 85°C

Note: These are stress ratings only. Stresses exceeding the range specified under "Absolute Maximum Ratings" may cause substantial damage to the device. Functional operation of this device at other conditions beyond those listed in the specification is not implied and prolonged exposure to extreme conditions may affect device reliability.

Thermal Information

Symbol	Parameter	Package	Max.	Unit
θ_{JA}	Thermal Resistance (Junction to Ambient) (Assume no ambient airflow, no heat sink)	SOT23-5	500	°C/W
		SOT89	200	°C/W
		TO92	200	°C/W
P_D	Power Dissipation	SOT23-5	0.20	W
		SOT89	0.50	W
		TO92	0.50	W

Note: P_D is measured at $T_a = 25^\circ\text{C}$

Pin Descriptions

Pin No.	Pin Name	Pin Description
1	GND	Ground pin
2	VIN	Input pin
3	VOUT	Output pin

Electrical Characteristics

$V_{IN} = V_{OUT} + 2V, C_{IN} = C_O = 10\mu F$

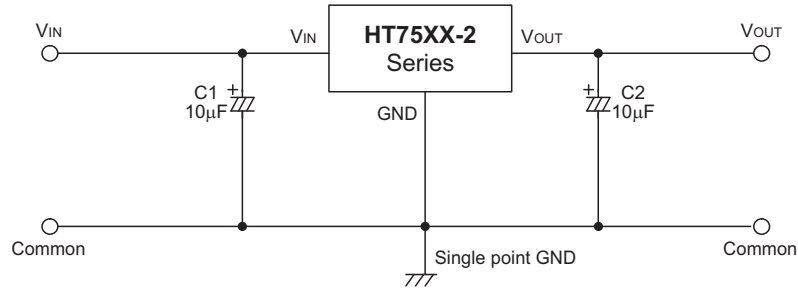
$T_a = 25^\circ C$

Symbol	Parameter	Test Conditions		Min.	Typ.	Max.	Unit
		Conditions					
V_{IN}	Input Voltage	—		—	—	24	V
V_{OUT}	Output Voltage Tolerance	$I_{OUT} = 10mA$		-1%		+1%	V
I_{OUT}	Output Current	$2.1V \leq V_{OUT} \leq 4.4V$		70	100	—	mA
		$V_{OUT} = 5.0V$		100	150	—	mA
		$6.0V \leq V_{OUT} \leq 12.0V$		150	—	—	mA
ΔV_{OUT}	Load Regulation	$2.1V \leq V_{OUT} \leq 3.6V$ $1mA \leq I_{OUT} \leq 50mA$		—	10	45	mV
		$4.0V \leq V_{OUT} \leq 4.4V$ $1mA \leq I_{OUT} \leq 50mA$		—	13	65	mV
		$5.0V \leq V_{OUT} \leq 12.0V$ $1mA \leq I_{OUT} \leq 70mA$		—	17	80	mV
V_{DIF}	Voltage Drop (Note)	$I_{OUT} = 10mA,$ $\Delta V_{OUT} = 2\%$	$2.1V \leq V_{OUT} \leq 2.4V$	—	0.46	0.95	V
			$2.5V \leq V_{OUT} \leq 2.7V$		0.32	0.68	V
			$3.0V \leq V_{OUT} \leq 3.3V$		0.23	0.41	V
			$V_{OUT} = 3.6V$		0.19	0.35	V
			$4.0V \leq V_{OUT} \leq 4.4V$		0.16	0.30	V
			$V_{OUT} = 5.0V$		0.12	0.25	V
			$6.0V \leq V_{OUT} \leq 12.0V$		0.11	0.23	V
I_{SS}	Quiescent Current	No load		—	2.5	5.0	μA
ΔV_{LINE}	Line Regulation	$V_{IN} = V_{OUT} + 1V \leq V_{IN} \leq 24V, I_{OUT} = 1mA$		—	0.1	0.2	%/V
$\frac{\Delta V_{OUT}}{\Delta T_a}$	Temperature Coefficient	$I_{OUT} = 10mA$ $-40^\circ C < T_a < 85^\circ C$	$2.1V \leq V_{OUT} \leq 12.0V$	—	100	—	ppm/ $^\circ C$

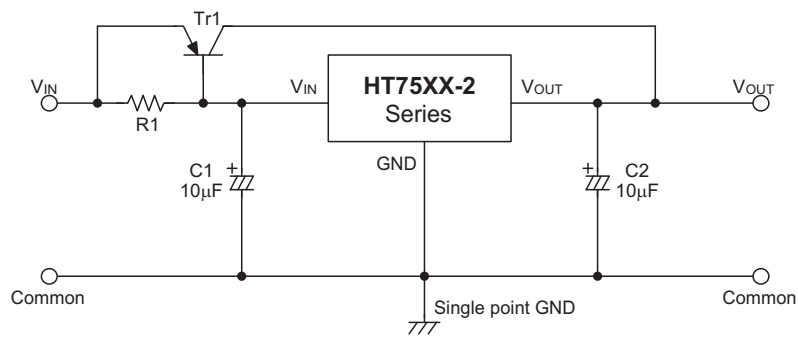
Note: Dropout voltage is defined as the input voltage minus the output voltage that produces a 2% change in the output voltage from the value at $V_{IN} = V_{OUT} + 2V$ with a fixed load.

Application Circuits

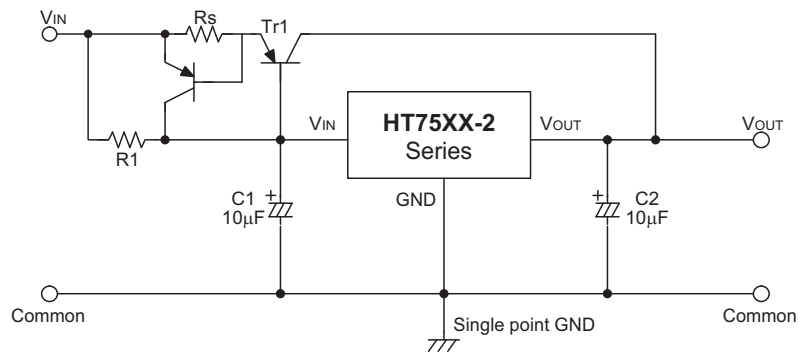
Basic Circuit



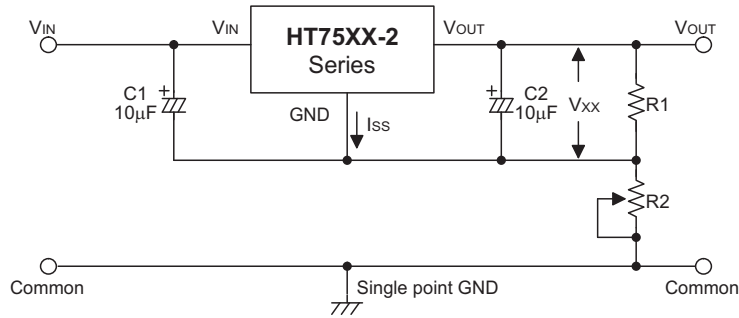
High Output Current Positive Voltage Regulator



Short-Circuit Protection for Tr1

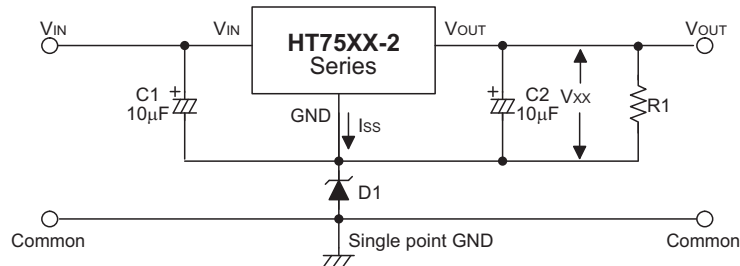


Circuit for Increasing Output Voltage



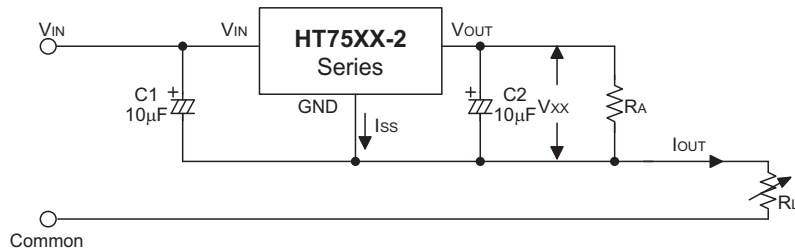
$$V_{OUT} = V_{XX} \left(1 + \frac{R2}{R1} \right) + I_{SS} R2$$

Circuit for Increasing Output Voltage



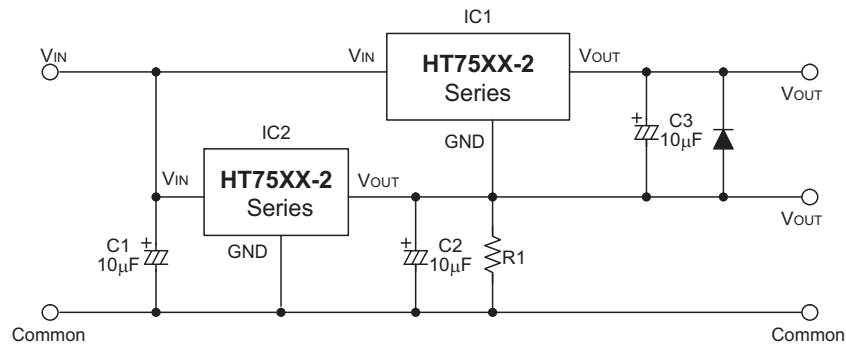
$$V_{OUT} = V_{XX} + V_{D1}$$

Constant Current Regulator



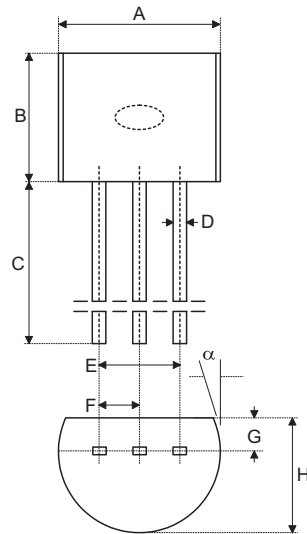
$$I_{OUT} = \frac{V_{XX}}{R_A} + I_{SS}$$

Dual Supply



Package Information

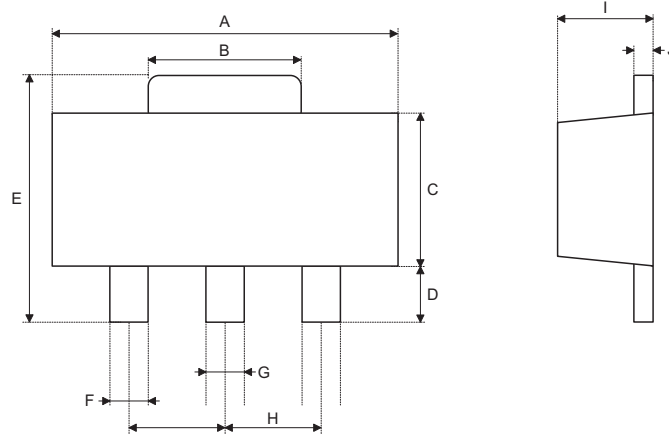
3-pin TO92 Outline Dimensions



Symbol	Dimensions in inch		
	Min.	Nom.	Max.
A	0.170	—	0.200
B	0.170	—	0.200
C	0.500	—	—
D	0.011	—	0.020
E	0.090	—	0.110
F	0.045	—	0.055
G	0.045	—	0.065
H	0.130	—	0.160
α	0°	—	10°

Symbol	Dimensions in mm		
	Min.	Nom.	Max.
A	4.32	—	5.08
B	4.32	—	5.08
C	12.70	—	—
D	0.28	—	0.51
E	2.29	—	2.79
F	1.14	—	1.40
G	1.14	—	1.65
H	3.30	—	4.06
α	0°	—	10°

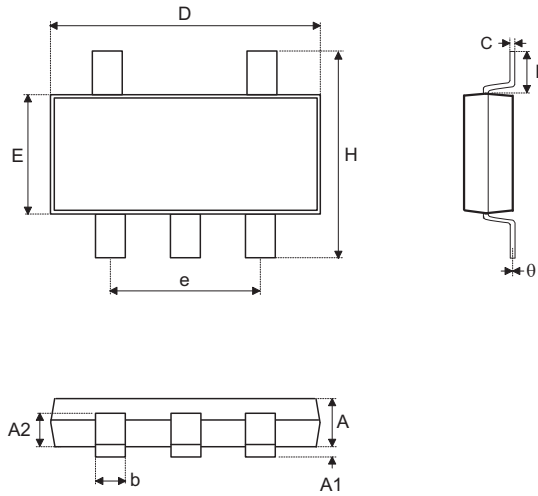
3-pin SOT89 Outline Dimensions



Symbol	Dimensions in inch		
	Min.	Nom.	Max.
A	0.173	—	0.181
B	0.059	—	0.072
C	0.090	—	0.102
D	0.035	—	0.047
E	0.155	—	0.167
F	0.014	—	0.019
G	0.017	—	0.022
H	—	0.059	—
I	55	—	63
J	14	—	17

Symbol	Dimensions in mm		
	Min.	Nom.	Max.
A	4.39	—	4.60
B	1.50	—	1.83
C	2.29	—	2.59
D	0.89	—	1.19
E	3.94	—	4.24
F	0.36	—	0.48
G	0.43	—	0.56
H	—	1.50	—
I	1.40	—	1.60
J	0.36	—	0.43

5-pin SOT23-5 Outline Dimensions

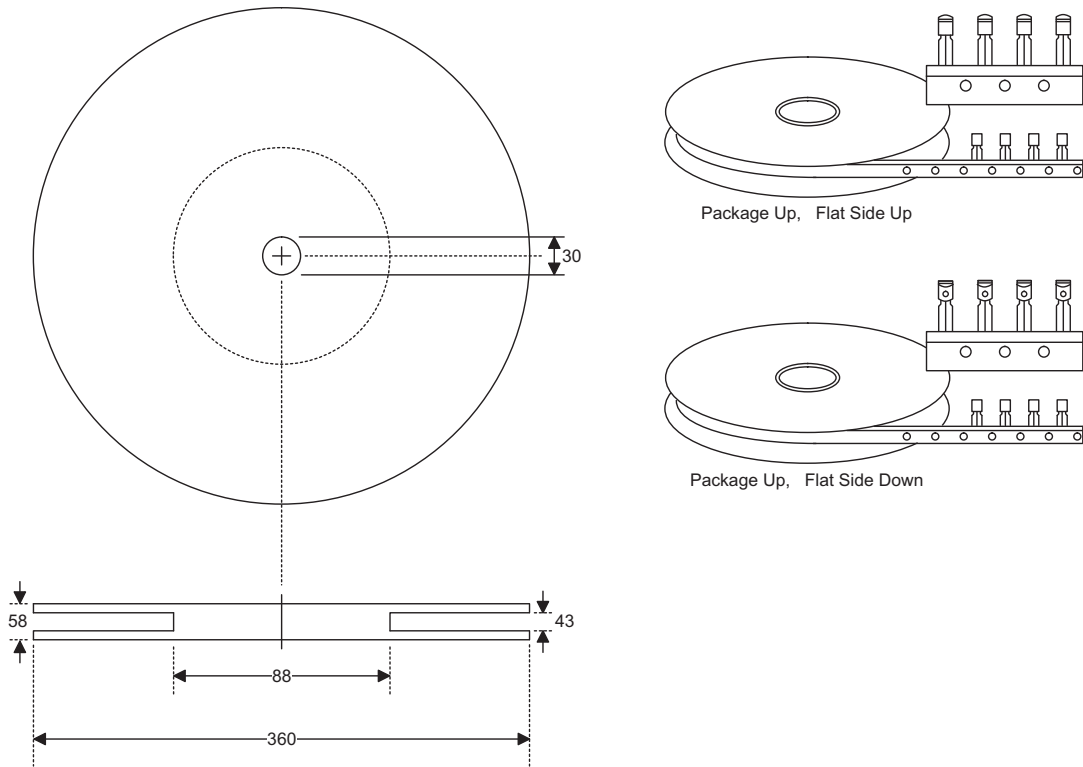


Symbol	Dimensions in inch		
	Min.	Nom.	Max.
A	0.039	—	0.051
A1	—	—	0.004
A2	0.028	—	0.035
b	0.014	—	0.020
C	0.004	—	0.010
D	0.106	—	0.122
E	0.055	—	0.071
e	—	0.075	—
H	0.102	—	0.118
L	0.015	—	—
θ	0°	—	9°

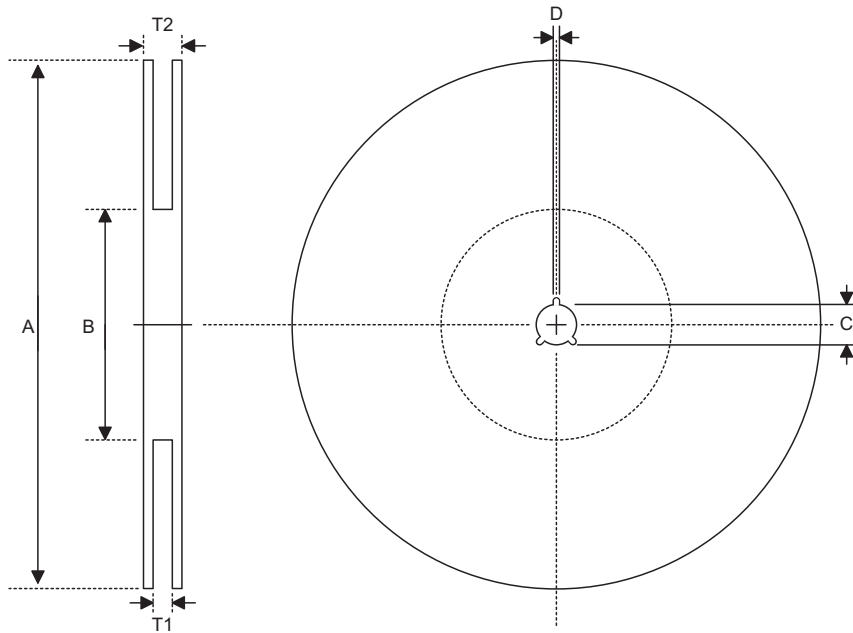
Symbol	Dimensions in mm		
	Min.	Nom.	Max.
A	1.00	—	1.30
A1	—	—	0.10
A2	0.70	—	0.90
b	0.35	—	0.50
C	0.10	—	0.25
D	2.70	—	3.10
E	1.40	—	1.80
e	—	1.90	—
H	2.60	—	3.0
L	0.37	—	—
θ	0°	—	9°

Product Tape and Reel Specifications

TO92 Reel Dimensions (Unit: mm)



Reel Dimensions

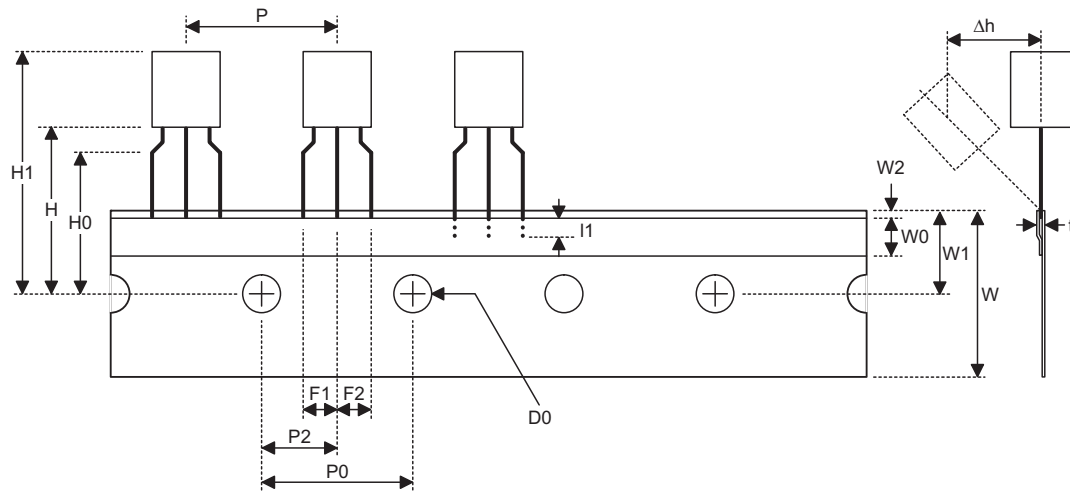


SOT89-3

Symbol	Description	Dimensions in mm
A	Reel Outer Diameter	180.0±1.0
B	Reel Inner Diameter	62.0±1.5
C	Spindle Hole Diameter	12.75 ^{+0.15/-0.00}
D	Key Slit Width	1.90±0.15
T1	Space Between Flange	12.4 ^{+0.2/-0.0}
T2	Reel Thickness	17.0 ^{+0.0/-0.4}

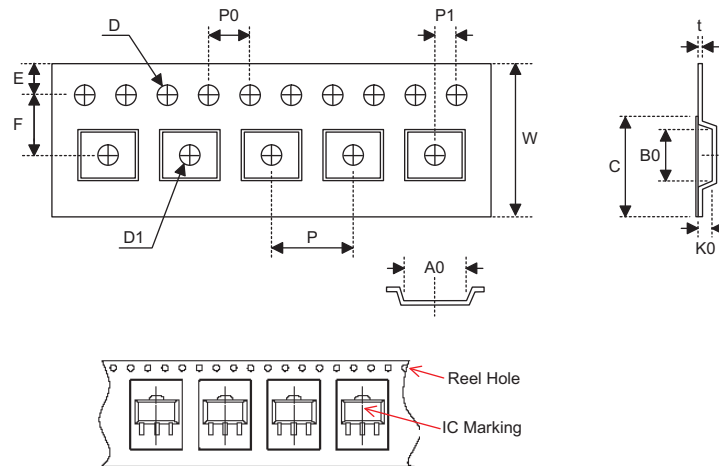
SOT23-5

Symbol	Description	Dimensions in mm
A	Reel Outer Diameter	178.0±1.0
B	Reel Inner Diameter	62.0±1.0
C	Spindle Hole Diameter	13.0±0.2
D	Key Slit Width	2.50±0.25
T1	Space Between Flange	8.4 ^{+1.5/-0.0}
T2	Reel Thickness	11.4 ^{+1.5/-0.0}

Carrier Tape Dimensions

TO92

Symbol	Description	Dimensions in mm
l1	Taped Lead Length	(2.5)
P	Component Pitch	12.7±1.0
P ₀	Perforation Pitch	12.7±0.3
P ₂	Component to Perforation (Length Direction)	6.35±0.40
F ₁	Lead Spread	2.5 ^{+0.4/-0.1}
F ₂	Lead Spread	2.5 ^{+0.4/-0.1}
Δh	Component Alignment	0.0±0.1
W	Carrier Tape Width	18.0 ^{+1.0/-0.5}
W ₀	Hold-down Tape Width	6.0±0.5
W ₁	Perforation Position	9.0±0.5
W ₂	Hold-down Tape Position	(0.5)
H ₀	Lead Clinch Height	16.0±0.5
H ₁	Component Height	Less than 24.7
D ₀	Perforation Diameter	4.0±0.2
t	Taped Lead Thickness	0.7±0.2
H	Component Base Height	19.0±0.5

Note: Thickness less than 0.38±0.05mm~0.5mm
P0 Accumulated pitch tolerance: ±1mm/20pitches.
() Bracketed figures are for consultation only

Carrier Tape Dimensions

SOT89-3

Symbol	Description	Dimensions in mm
W	Carrier Tape Width	12.0 ^{+0.3/-0.1}
P	Cavity Pitch	8.0±0.1
E	Perforation Position	1.75±0.10
F	Cavity to Perforation (Width Direction)	5.50±0.05
D	Perforation Diameter	1.5 ^{+0.1/-0.0}
D1	Cavity Hole Diameter	1.5 ^{+0.1/-0.0}
P0	Perforation Pitch	4.0±0.1
P1	Cavity to Perforation (Length Direction)	2.0±0.1
A0	Cavity Length	4.8±0.1
B0	Cavity Width	4.5±0.1
K0	Cavity Depth	1.8±0.1
t	Carrier Tape Thickness	0.300±0.013
C	Cover Tape Width	9.3±0.1

SOT23-5

Symbol	Description	Dimensions in mm
W	Carrier Tape Width	8.0±0.3
P	Cavity Pitch	4.0±0.1
E	Perforation Position	1.75±0.10
F	Cavity to Perforation (Width Direction)	3.50±0.05
D	Perforation Diameter	1.5 ^{+0.1/-0.0}
D1	Cavity Hole Diameter	1.5 ^{+0.1/-0.0}
P0	Perforation Pitch	4.0±0.1
P1	Cavity to Perforation (Length Direction)	2.00±0.05
A0	Cavity Length	3.15±0.10
B0	Cavity Width	3.2±0.1
K0	Cavity Depth	1.4±0.1
t	Carrier Tape Thickness	0.20±0.03
C	Cover Tape Width	5.3±0.1

Holtek Semiconductor Inc. (Headquarters)

No.3, Creation Rd. II, Science Park, Hsinchu, Taiwan
Tel: 886-3-563-1999
Fax: 886-3-563-1189
<http://www.holtek.com.tw>

Holtek Semiconductor Inc. (Taipei Sales Office)

4F-2, No. 3-2, YuanQu St., Nankang Software Park, Taipei 115, Taiwan
Tel: 886-2-2655-7070
Fax: 886-2-2655-7373
Fax: 886-2-2655-7383 (International sales hotline)

Holtek Semiconductor Inc. (Shenzhen Sales Office)

5F, Unit A, Productivity Building, No.5 Gaoxin M 2nd Road, Nanshan District, Shenzhen, China 518057
Tel: 86-755-8616-9908, 86-755-8616-9308
Fax: 86-755-8616-9722

Holtek Semiconductor (USA), Inc. (North America Sales Office)

46729 Fremont Blvd., Fremont, CA 94538, USA
Tel: 1-510-252-9880
Fax: 1-510-252-9885
<http://www.holtek.com>

Copyright © 2011 by HOLTEK SEMICONDUCTOR INC.

The information appearing in this Data Sheet is believed to be accurate at the time of publication. However, Holtek assumes no responsibility arising from the use of the specifications described. The applications mentioned herein are used solely for the purpose of illustration and Holtek makes no warranty or representation that such applications will be suitable without further modification, nor recommends the use of its products for application that may present a risk to human life due to malfunction or otherwise. Holtek's products are not authorized for use as critical components in life support devices or systems. Holtek reserves the right to alter its products without prior notification. For the most up-to-date information, please visit our web site at <http://www.holtek.com.tw>.