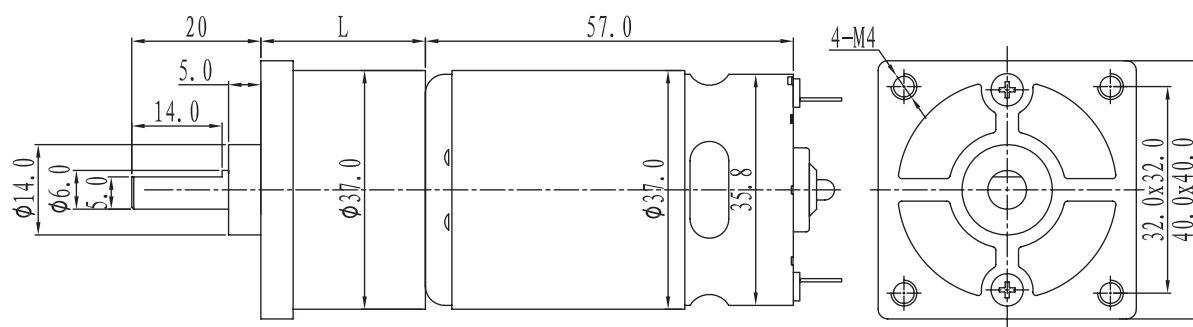


ZGA37FH(A6249)

Housing Material	Zinc-Sleeve
Bearing	Sleeve Bearing
Radial Force	≤ 1 kgf
Axial Force	≤ 0.7 kgf
Max.Axial Pressing Force	≤ 5 kgf
Radial Play	≤ 0.1 mm
Axial Play	≤ 0.5 mm



Dimension(mm)



Specifications

DC MOTOR	Reduction Ratio	1/11	1/19	1/24	1/45	1/57	1/69	1/133	1/160	1/501
ZYTD-555 (12V-3700R)	Noload(r/min)	340	200	155	83	65	54	28	23	8
	Onload(r/min)	280	160	130	70	56	48	25	22	7
	Onload Torque(kgf.cm)	1.5	2.2	3	5	6	6	8	8	10
ZYTD-555 (24V-5300R)	Noload(r/min)	490	280	225	120	94	78	40	34	11
	Onload(r/min)	410	240	185	105	85	71	38	32	11
	Onload Torque(kgf.cm)	2	3.2	4	6	6	6	8	8	10
Default Direction		CW	CCW		CW		CCW		CW	

Gearbox Specifications

Reduction Ratio	L	Stages	Allowable Torque	
	mm		mN.m	kgf.cm
1/11	25.5	3	245	2.5
1/19~1/24	27.5	4	392	4
1/45~1/69	29.5	5	588	6
1/133~1/160	32.5	6	784	8
1/501	33.5	7	980	10