

## MIX2018

### 4.8W Single Channel Class F Audio Power Amplifier

**describe**

MIX2018 is a high efficiency, filter-free 4.8W mono Class F speaker.  
 The ultra-low EMI is very suitable for portable FM amplifiers.  
 In portable devices.  
  
 The single-ended input architecture and extremely high PSRR of MIX2018 effectively improve  
 The MIX2018 has the ability to suppress RF noise. No filter is required for PWM  
 Modulation structure and built-in gain reduce external components and PCB area  
 Up to 90% efficiency, fast start-up  
 The operating time and small package size make MIX2018 a portable audio  
 The best choice for video products.  
  
 MIX2018 has a shutdown function, which greatly prolongs the system's standby time.  
 Overheat protection function enhances system reliability. POP noise suppression function improves  
 Improves the system's auditory experience and simplifies system debugging  
  
 MIX2018 provides ESOP8 package with heat sink

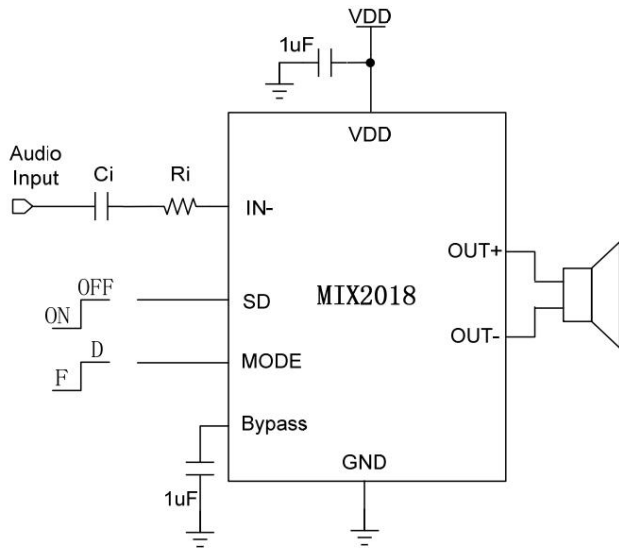
**characteristic**

- Unique FM interference-free architecture
- Class D output power:  
 • 4.8W (VDD=5.0V, RL =2•THD+N=10%) • Class F output power:  
 • 4.8W (VDD=5.0V, RL =2•THD+N=10%) • Low distortion and low noise
- Power-on POP sound suppression function
- Shutdown current is less than 1uA
- Overheat protection function

**application**

- Loudspeaker
- Portable speakers/Card speakers
- Card speaker/USB speaker

Typical application circuit diagram



Pinout

