

ASSP

Power Supply Monitor with Watch-Dog Timer

MB3773

DESCRIPTION

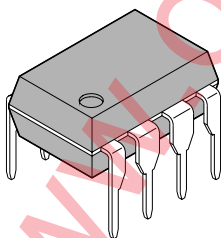
MB3773 generates the reset signal to protect an arbitrary system when the power-supply voltage momentarily is intercepted or decreased. It is IC for the power-supply voltage watch and "Power on reset" is generated at the normal return of the power supply. MB3773 sends the microprocessor the reset signal when decreasing more than the voltage, which the power supply of the system specified, and the computer data is protected from an accidental deletion.

In addition, the watchdog timer for the operation diagnosis of the system is built into, and various microprocessor systems can provide the fail-safe function. If MB3773 does not receive the clock pulse from the processor for an specified period, MB3773 generates the reset signal.

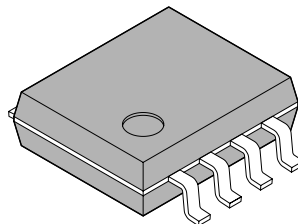
FEATURES

- Precision voltage detection ($V_S = 4.2 \text{ V} \pm 2.5 \%$)
- Detection threshold voltage has hysteresis function
- Low voltage output for reset signal ($V_{CC} = 0.8 \text{ V Typ}$)
- Precision reference voltage output ($V_R = 1.245 \text{ V} \pm 1.5\%$)
- With built-in watchdog timer of edge trigger input.
- External parts are few.(1 piece in capacity)
- The reset signal outputs the positive and negative both theories reason.

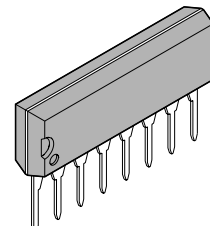
PACKAGES



(DIP-8P-M01)



(FPT-8P-M01)

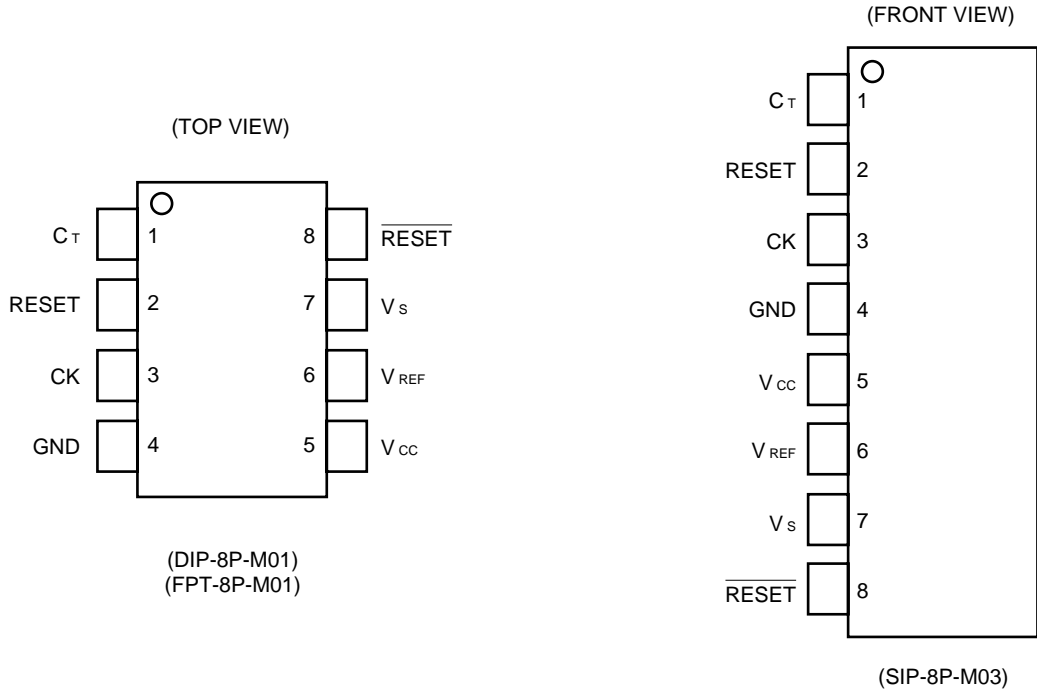


(SIP-8P-M03)

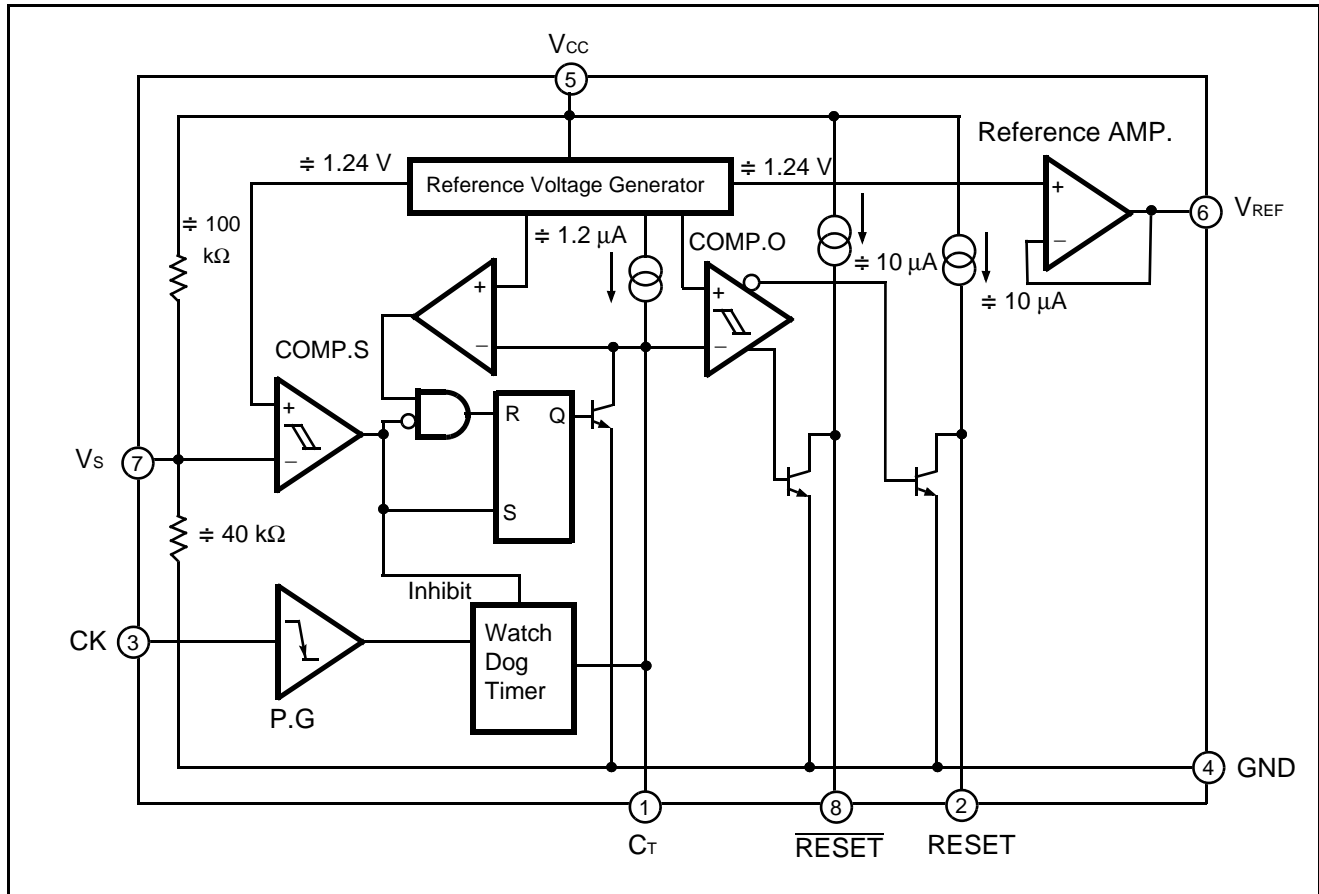
This device contains circuitry to protect the inputs against damage due to high static voltages or electric fields. However, it is advised that normal precautions be taken to avoid application of any voltage higher than maximum rated voltages to this high impedance circuit.

MB3773

■ PIN ASSIGNMENT



■ BLOCK DIAGRAM



■ FUNCTIONAL DESCRIPTIONS

Comp.S is comparator including hysteresis. it compare the reference voltage and the voltage of Vs, so that when the voltage of Vs terminal falls below approximately 1.23 V, reset signal outputs.

Instantaneous breaks or drops in the power can be detected as abnormal conditions by the MB3773 within a 2 μ s interval.

However because momentary breaks or drops of this duration do not cause problems in actual systems in some cases, a delayed trigger function can be created by connecting capacitors to the Vs terminal.

Comp.O is comparator for turning on/off the output and, compare the voltage of the Cr terminal and the threshold voltage. Because the RESET/ $\overline{\text{RESET}}$ outputs have built-in pull-up circuit, there is no need to connect to external pull-up resistor when connected to a high impedance load such as CMOS logic IC.

(It corresponds to 500 k Ω at Vcc = 5 V.) when the voltage of the CK terminal changes from the "high" level into the "Low" level, pulse generator is sent to the watch-dog timer by generating the pulse momentarily at the time of drop from the threshold level.

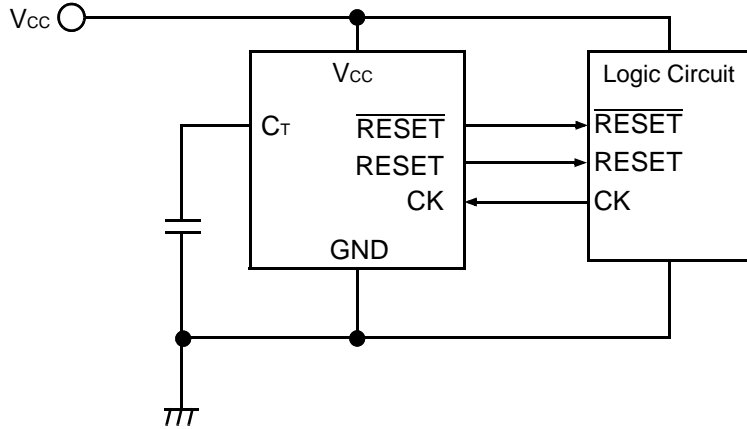
When power-supply voltages fall more than detecting voltages, the watch-dog timer becomes a interdiction.

The Reference amplifier is a op-amp to output the reference voltage.

If the comparator is put up outside, two or more power-supply voltage monitor and overvoltage monitor can be done.

If it uses a comparator of the open-collector output, and the output of the comparator is connected with the Vs terminal of MB3773 without the pull-up resistor, it is possible to voltage monitor with reset-hold time.

• MB3773 Basic Operation



$$T_{PR} \text{ (ms)} \doteq 1000 \cdot C_T \text{ (\mu F)}$$

$$T_{WD} \text{ (ms)} \doteq 100 \cdot C_T \text{ (\mu F)}$$

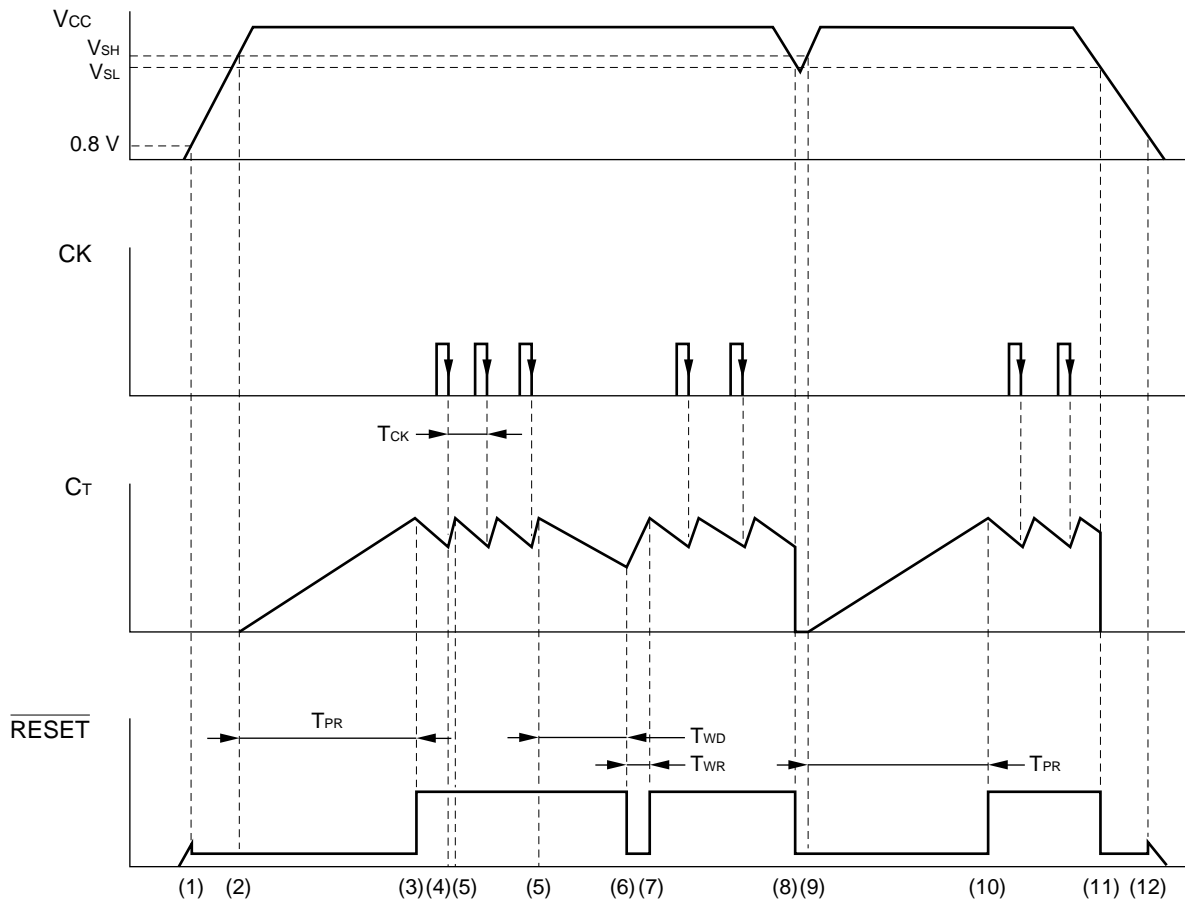
$$T_{WR} \text{ (ms)} \doteq 20 \cdot C_T \text{ (\mu F)}$$

Example : $C_T = 0.1 \mu\text{F}$

$$T_{RR} \text{ (ms)} \doteq 100 \text{ (ms)}$$

$$T_{WD} \text{ (ms)} \doteq 10 \text{ (ms)}$$

$$T_{WR} \text{ (ms)} \doteq 2 \text{ (ms)}$$



■ OPERATION SEQUENCE

- (1) When V_{CC} rises to about 0.8 V, $\overline{\text{RESET}}$ goes “Low” and RESET goes “High”.
The pull-up current of approximately 1 μA ($V_{CC} = 0.8 \text{ V}$) is output from RESET.
- (2) When V_{CC} rises to V_{SH} ($\approx 4.3\text{V}$), the charge with C_T starts.
At this time, the output is being reset.
- (3) When C_T begins charging, $\overline{\text{RESET}}$ goes “High” and RESET goes “Low”.
After T_{PR} reset of the output is released.
Reset hold time: $T_{PR} (\text{ms}) \approx 1000 \times C_T (\mu\text{F})$
After releasing reset, the discharge of C_T starts, and watch-dog timer operation starts.
 T_{PR} is not influenced by the CK input.
- (4) C changes from the discharge into the charge if the clock (Negative edge) is input to the CK terminal while discharging C_T .
- (5) C changes from the charge into the discharge when the voltage of C_T reaches a constant threshold ($\approx 1.4 \text{ V}$).
- (4) and (5) are repeated while a normal clock is input by the logic system.
- (6) When the clock is cut off, gets, and the voltage of C_T falls on threshold ($\approx 0.4 \text{ V}$) of reset on, $\overline{\text{RESET}}$ goes “Low” and RESET goes “High”.
Discharge time of C_T until reset is output: T_{WD} is watch-dog timer monitoring time.
 $T_{WD} (\text{ms}) \approx 100 \times C_T (\mu\text{F})$
Because the charging time of C_T is added at accurate time from stop of the clock and getting to the output of reset of the clock, T_{WD} becomes maximum $T_{WD} + T_{WR}$ by minimum T_{WD} .
- (7) Reset time in operating watch-dog timer: T_{WR} is charging time where the voltage of C_T goes up to off threshold ($\approx 1.4 \text{ V}$) for reset.
 $T_{WR} (\text{ms}) \approx 20 \times C_T (\mu\text{F})$
Reset of the output is released after C_T reaches an off threshold for reset, and C_T starts the discharge, after that if the clock is normally input, operation repeats (4) and (5), when the clock is cut off, operation repeats (6) and (7).
- (8) When V_{CC} falls on V_{SL} ($\approx 4.2 \text{ V}$), reset is output. C_T is rapidly discharged of at the same time.
- (9) When V_{CC} goes up to V_{SH} , the charge with C_T is started.
When V_{CC} is momentarily low,
After falling V_{SL} or less V_{CC} , the time to going up is the standard value of the V_{CC} input pulse width in V_{SH} or more.
After the charge of C_T is discharged, the charge is started if it is T_{PI} or more.
- (10) Reset of the output is released after T_{PR} , after V_{CC} becomes V_{SH} or more, and the watch-dog timer starts.
After that, when V_{CC} becomes V_{SL} or less, (8) to (10) is repeated.
- (11) While power supply is off, when V_{CC} becomes V_{SL} or less, reset is output.
- (12) The reset output is maintained until V_{CC} becomes 0.8 V when V_{CC} falls on 0 V.

■ ABSOLUTE MAXIMUM RATINGS

Parameter	Symbol	Rating		Unit
		Min	Max	
Supply voltage	V _{CC}	- 0.3	+ 18	V
Input voltage	V _S	- 0.3	V _{CC} + 0.3 (≤ +18)	V
	V _{CK}	- 0.3	+ 18	V
$\overline{\text{RESET}}$, RESET Supply voltage	V _{OH}	- 0.3	V _{CC} + 0.3 (≤ +18)	V
Power dissipation (Ta ≤ +85 °C)	P _D	—	200	mW
Storage temperature	T _{STG}	- 55	+ 125	°C

WARNING: Semiconductor devices can be permanently damaged by application of stress (voltage, current, temperature, etc.) in excess of absolute maximum ratings. Do not exceed these ratings.

■ RECOMMENDED OPERATING CONDITIONS

Parameter	Symbol	Value		Unit
		Min	Max	
Supply voltage	V _{CC}	+ 3.5	+ 16	V
RESET, $\overline{\text{RESET}}$ sink current	I _{OL}	0	20	mA
V _{REF} output current	I _{OUT}	- 200	+ 5	μA
Watch clock setting time	t _{WD}	0.1	1000	ms
CK Rising/falling time	t _{FC} , t _{RC}	—	100	μs
Terminal capacitance	C _T	0.001	10	μF
Operating ambient temperature	T _a	- 40	+ 85	°C

WARNING: The recommended operating conditions are required in order to ensure the normal operation of the semiconductor device. All of the device's electrical characteristics are warranted when the device is operated within these ranges.




Always use semiconductor devices within their recommended operating condition ranges. Operation outside these ranges may adversely affect reliability and could result in device failure.

No warranty is made with respect to uses, operating conditions, or combinations not represented on the data sheet. Users considering application outside the listed conditions are advised to contact their FUJITSU representatives beforehand.

■ ELECTRICAL CHARACTERISTICS

(1) DC Characteristics

($V_{CC} = 5\text{ V}$, $T_a = +25\text{ }^\circ\text{C}$)

Parameter	Symbol	Condition	Value			Unit
			Min	Typ	Max	
Supply current	I_{CC}	Watch dog timer operating	—	600	900	μA
Detection voltage	V_{SL}	V_{CC} 	4.10	4.20	4.30	V
		$T_a = -40\text{ }^\circ\text{C}$ to $+85\text{ }^\circ\text{C}$	4.05	4.20	4.35	
	V_{SH}	V_{CC} 	4.20	4.30	4.40	
		$T_a = -40\text{ }^\circ\text{C}$ to $+85\text{ }^\circ\text{C}$	4.15	4.30	4.45	
Hysteresis width	V_{HYS}	V_{CC} 	50	100	150	mV
Reference voltage	V_{REF}	—	1.227	1.245	1.263	V
		$T_a = -40\text{ }^\circ\text{C}$ to $+85\text{ }^\circ\text{C}$	1.215	1.245	1.275	
Reference voltage change rate	ΔV_{REF1}	$V_{CC} = 3.5\text{ V}$ to 16 V	—	3	10	mV
Reference voltage output loading change rate	ΔV_{REF2}	$I_{OUT} = -200\text{ }\mu\text{A}$ to $+5\text{ }\mu\text{A}$	-5	—	+5	mV
CK threshold voltage	V_{TH}	$T_a = -40\text{ }^\circ\text{C}$ to $+85\text{ }^\circ\text{C}$	0.8	1.25	2.0	V
CK input current	I_{IH}	$V_{CK} = 5.0\text{ V}$	—	0	1.0	μA
	I_{IL}	$V_{CK} = 0.0\text{ V}$	-1.0	-0.1	—	
C_T discharge current	I_{CTD}	Watch dog timer operating $V_{CT} = 1.0\text{ V}$	7	10	14	μA
High level output voltage	V_{OH1}	V_S open, $I_{RESET} = -5\text{ }\mu\text{A}$	4.5	4.9	—	V
	V_{OH2}	$V_S = 0\text{ V}$, $I_{RESET} = -5\text{ }\mu\text{A}$	4.5	4.9	—	
Output saturation voltage	V_{OL1}	$V_S = 0\text{ V}$, $I_{RESET} = 3\text{ mA}$	—	0.2	0.4	V
	V_{OL2}	$V_S = 0\text{ V}$, $I_{RESET} = 10\text{ mA}$	—	0.3	0.5	
	V_{OL3}	V_S open, $I_{RESET} = 3\text{ mA}$	—	0.2	0.4	
	V_{OL4}	V_S open, $I_{RESET} = 10\text{ mA}$	—	0.3	0.5	
Output sink current	I_{OL1}	$V_S = 0\text{ V}$, $V_{RESET} = 1.0\text{ V}$	20	60	—	mA
	I_{OL2}	V_S open, $V_{RESET} = 1.0\text{ V}$	20	60	—	
C_T charge current	I_{CTU}	Power on reset operating $V_{CT} = 1.0\text{ V}$	0.5	1.2	2.5	μA
Min supply voltage for $\overline{\text{RESET}}$	V_{CCL1}	$V_{RESET} = 0.4\text{ V}$, $I_{RESET} = 0.2\text{ mA}$	—	0.8	1.2	V
Min supply voltage for RESET	V_{CCL2}	$V_{RESET} = V_{CC} - 0.1\text{ V}$, R_L (pin 2 - GND) = $1\text{ M}\Omega$	—	0.8	1.2	V

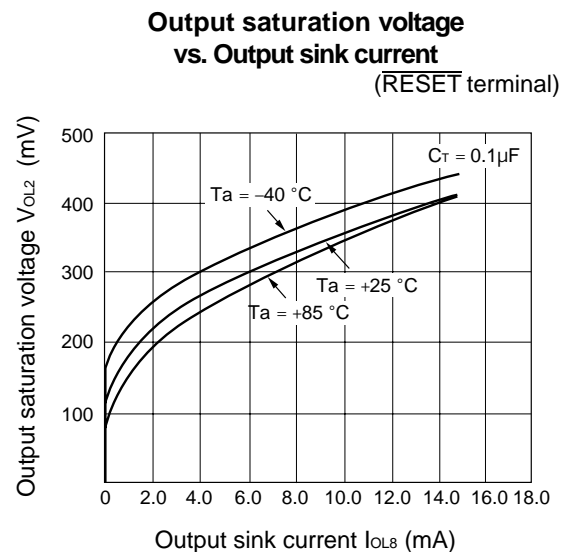
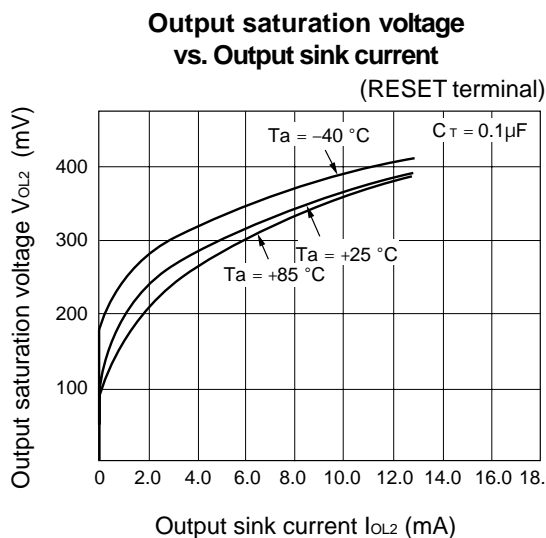
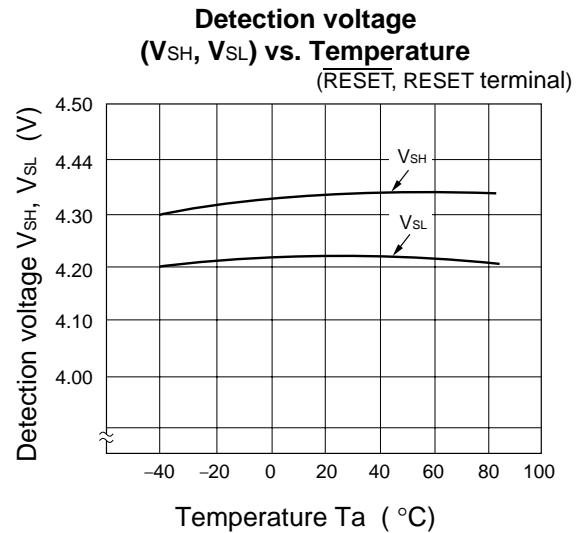
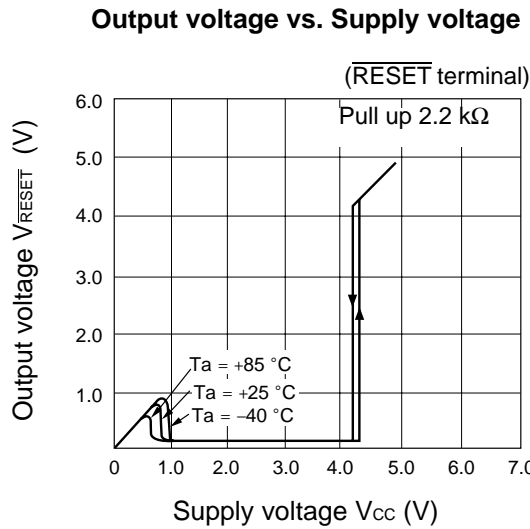
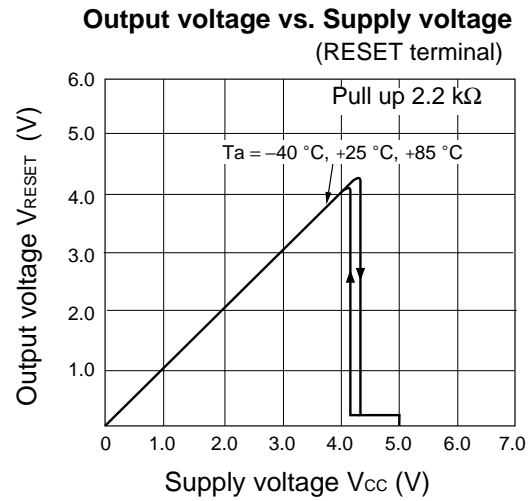
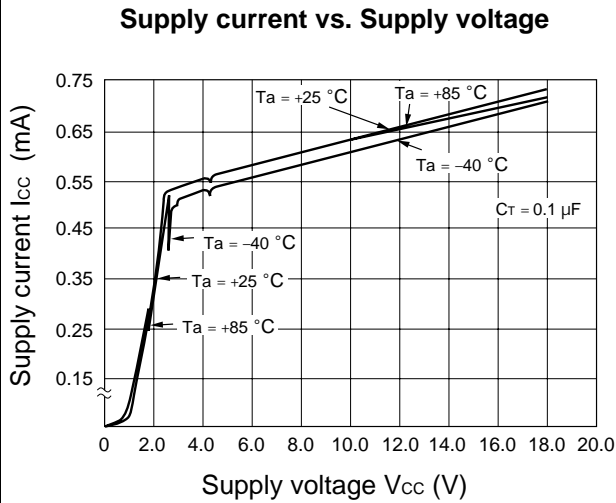
(2)AC Characteristics

(V_{CC} = 5 V, Ta = + 25 °C)

Parameter	Symbol	Condition	Value			Unit
			Min	Typ	Max	
V _{CC} input pulse width	T _{PI}	 5 V V _{CC} 4 V	8.0	—	—	μs
CK input pulse width	T _{CKW}	 CK	3.0	—	—	μs
CK input frequency	T _{CK}	—	20	—	—	μs
Watch dog timer watching time	T _{WD}	C _T = 0.1 μF	5	10	15	ms
Watch dog timer reset time	T _{WR}	C _T = 0.1 μF	1	2	3	ms
Rising reset hold time	T _{PR}	C _T = 0.1 μF, V _{CC}	50	100	150	ms
Output propagation delay time from V _{CC}	T _{PD1}	RESET, R _L = 2.2 kΩ, C _L = 100 pF	—	2	10	μs
	T _{PD2}	RESET, R _L = 2.2 kΩ, C _L = 100 pF	—	3	10	
Output rising time*	t _R	R _L = 2.2 kΩ, C _L = 100 pF	—	1.0	1.5	μs
Output falling time*	t _F	R _L = 2.2 kΩ, C _L = 100 pF	—	0.1	0.5	

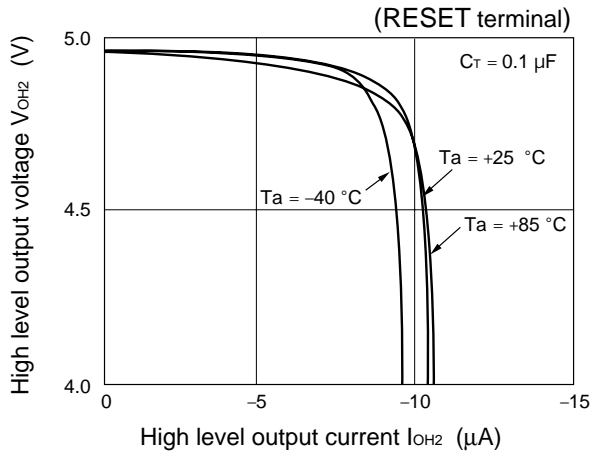
* : Output rising/falling time are measured at 10 % to 90 % of voltage.

TYPICAL CHARACTERISTIC CURVES

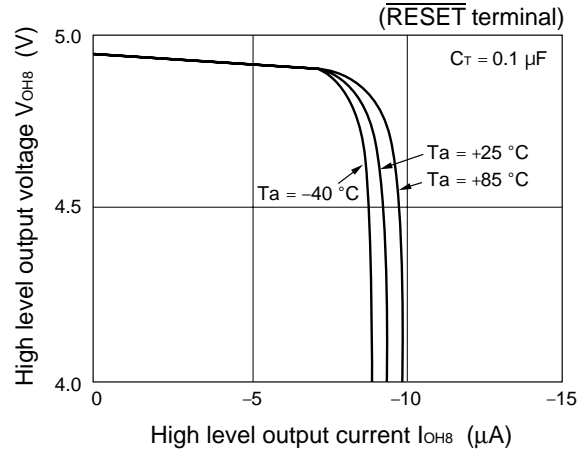


(Continued)

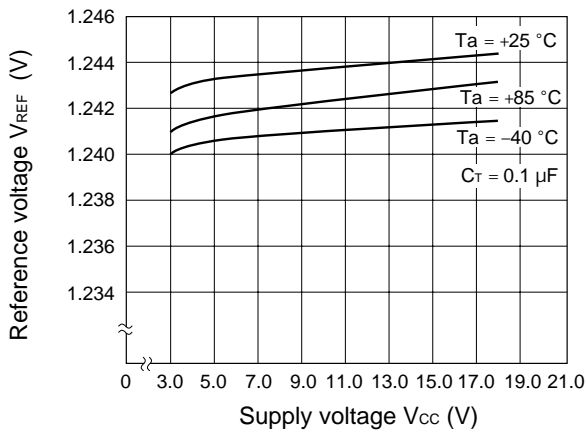
High level output voltage vs. High level output current



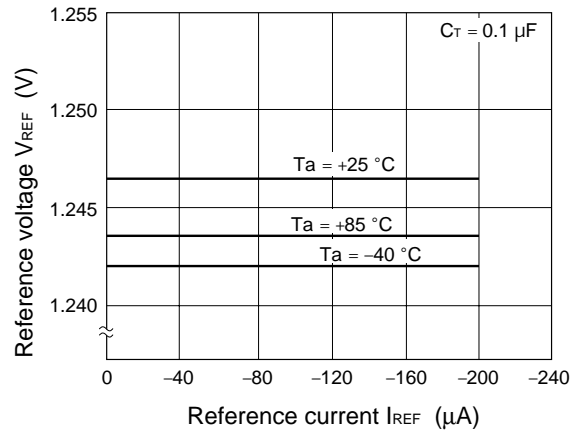
High level output voltage vs. High level output current



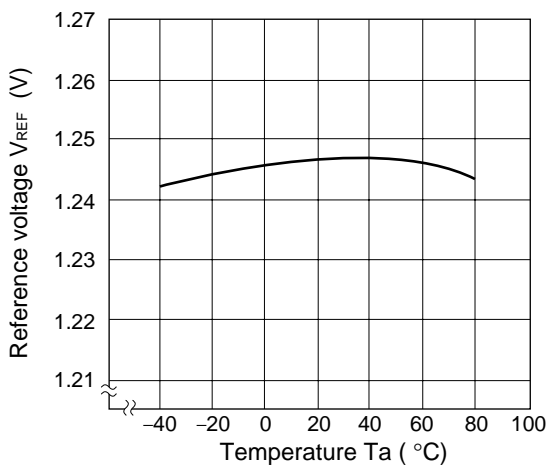
Reference voltage vs. Supply voltage



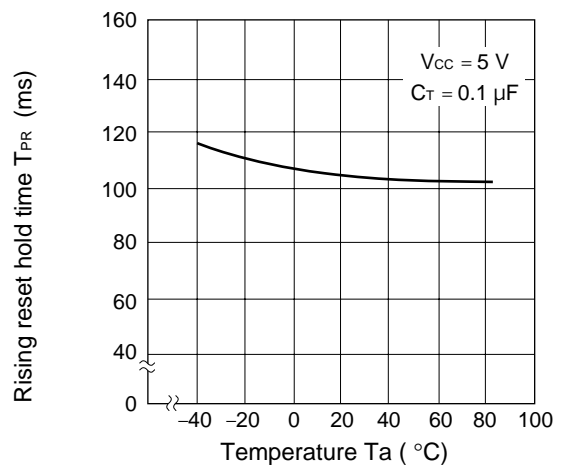
Reference voltage vs. Reference current



Reference voltage vs. Temperature



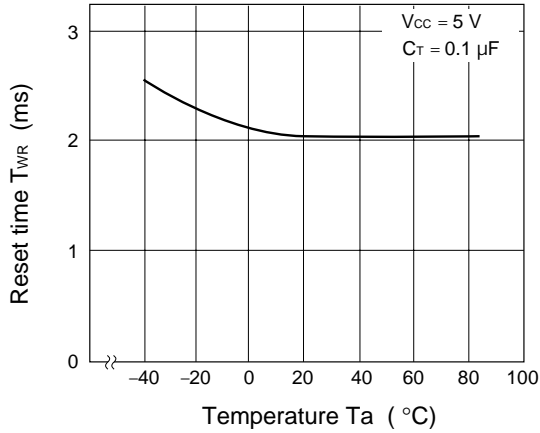
Rising reset hold time vs. Temperature



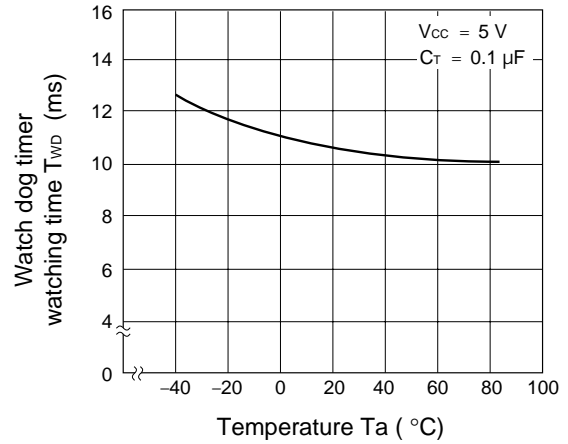
(Continued)

(Continued)

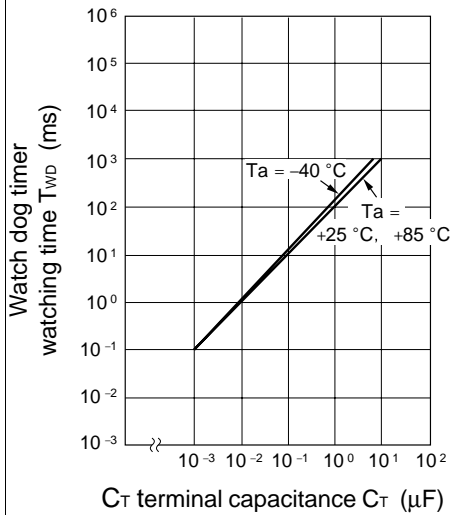
Reset time vs. Temperature
(At watch dog timer)



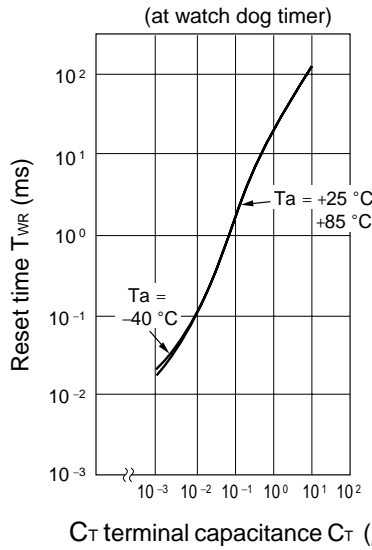
Watchdog timer watching time vs. Temperature



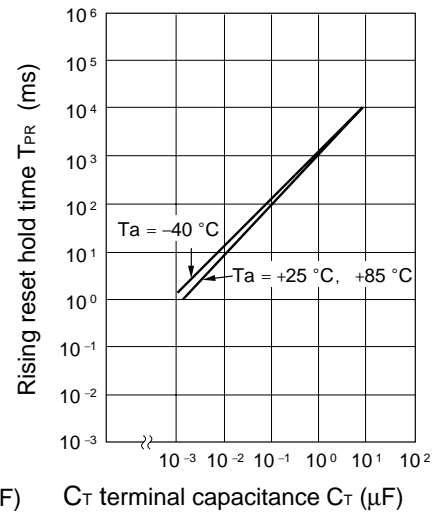
C_T terminal capacitance vs. Watchdog timer watching time



C_T terminal capacitance vs. Reset time

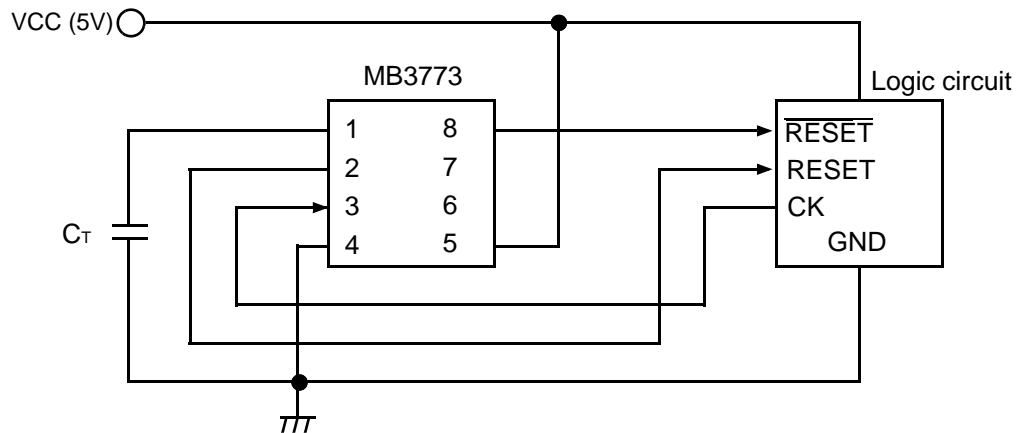


C_T terminal capacitance vs. Rising reset hold time



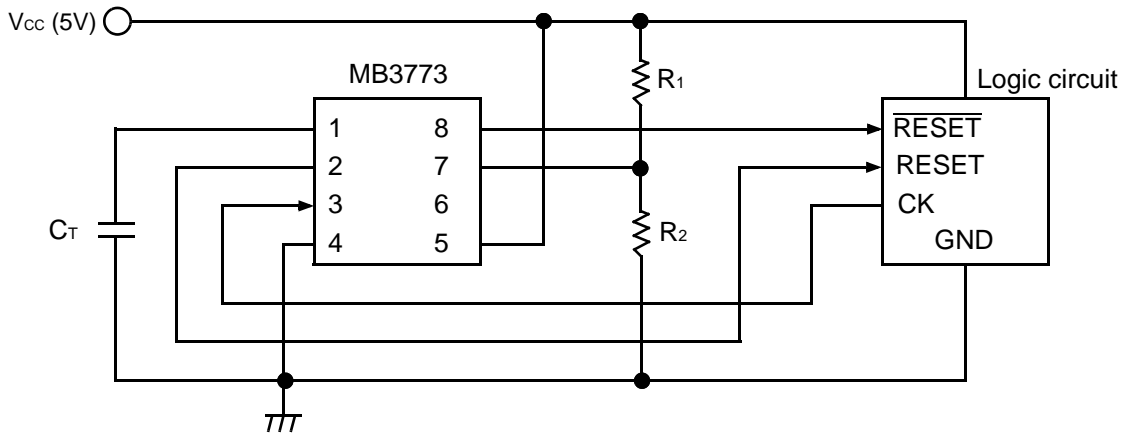
APPLICATION CIRCUIT

EXAMPLE 1: Monitoring 5V Supply Voltage and Watchdog Timer



- Notes :
- Supply voltage is monitored using V_S .
 - Detection voltage are V_{SH} and V_{SL} .

EXAMPLE 2: 5V Supply Voltage Monitoring (external fine-tuning type)

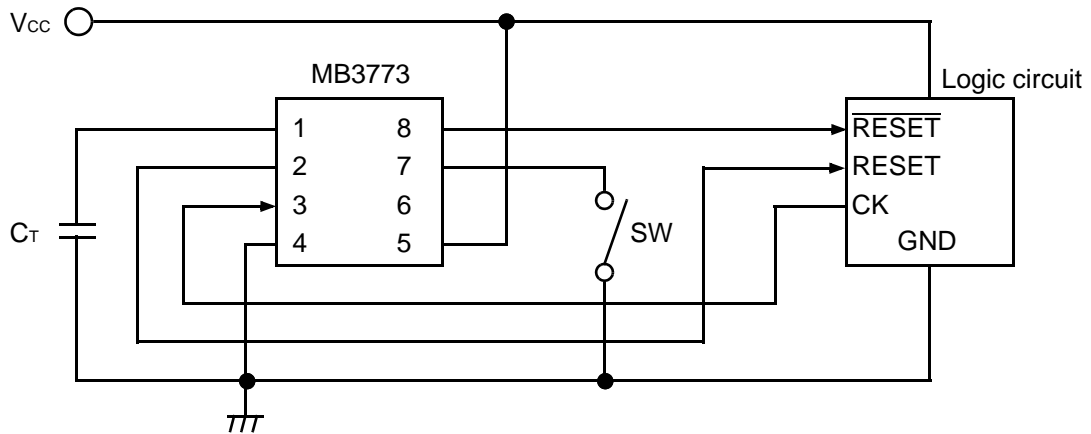


- Notes :
- V_S detection voltage can be adjusted externally.
 - Based on selecting R_1 and R_2 values that are sufficiently lower than the resistance of the IC's internal voltage divider, the detection voltage can be set according to the resistance ratio of R_1 and R_2 (See the table below.)

R_1 (k Ω)	R_2 (k Ω)	Detection voltage: V_{SL} (V)	Detection voltage: V_{SH} (V)
10	3.9	4.4	4.5
9.1	3.9	4.1	4.2

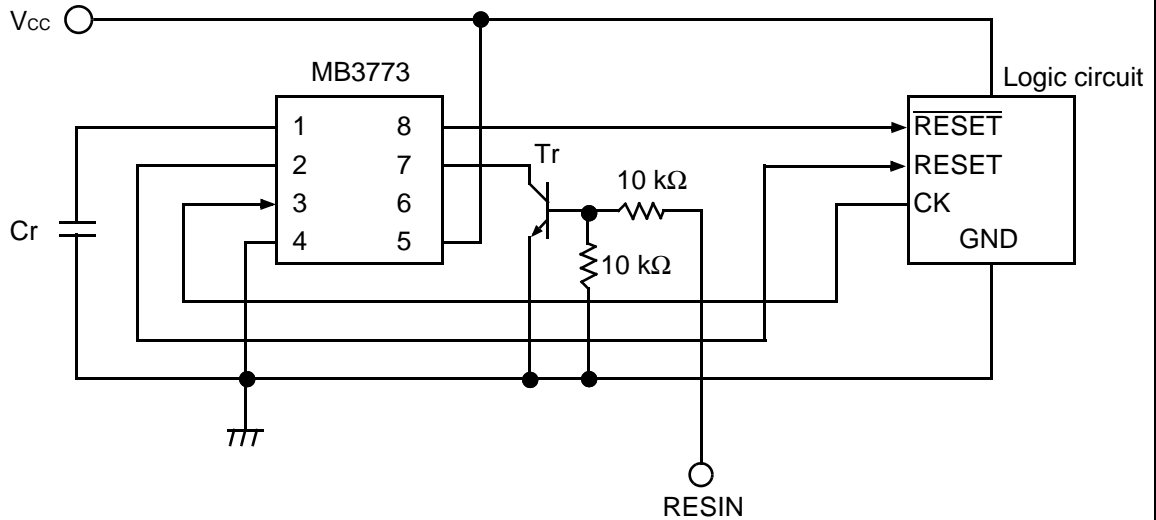
EXAMPLE 3: With Forced Reset (with reset hold)

(a)



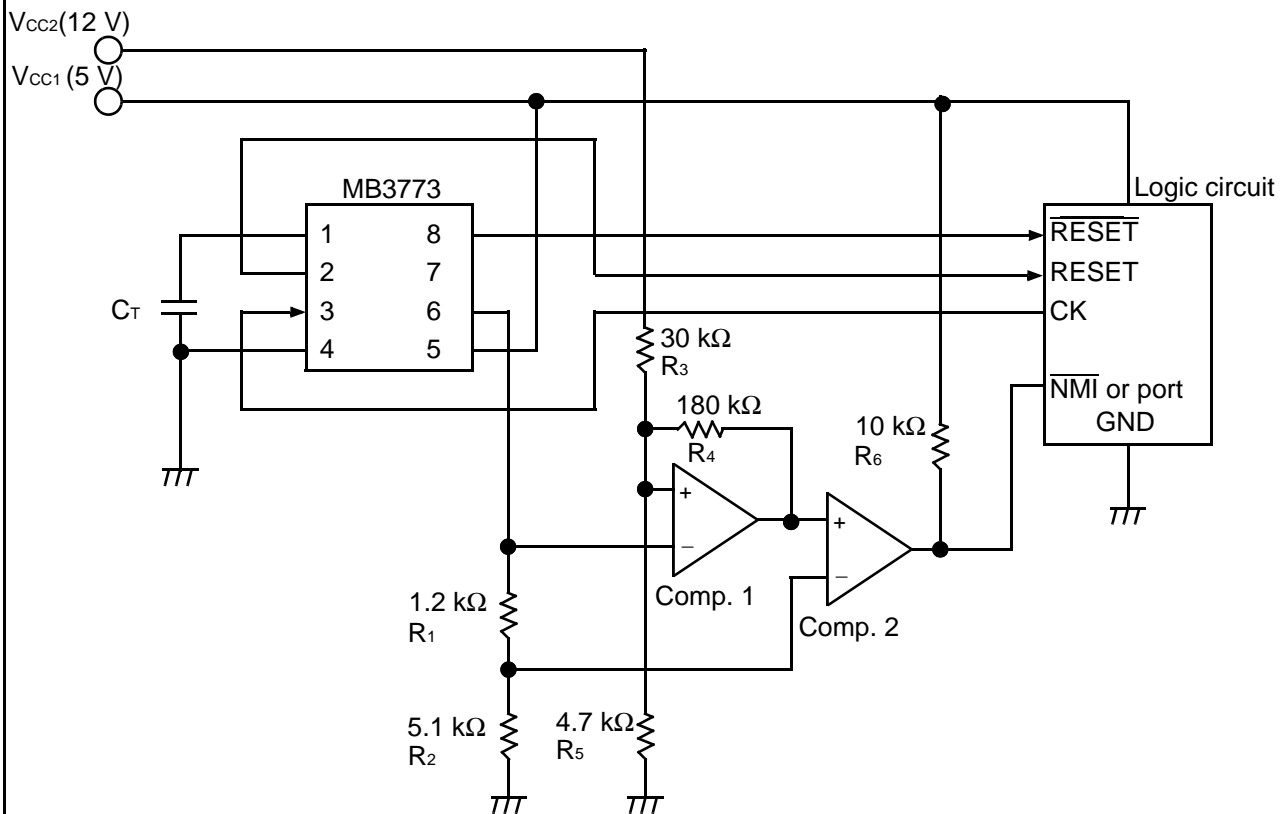
Note : Grounding pin 7 at the time of SW ON sets $\overline{\text{RESET}}$ (pin 8) to Low and RESET (pin 2) to High.

(b)



Note : Feeding the signal to terminal RESIN and turning on Tr sets the $\overline{\text{RESET}}$ terminal to Low and the RESET terminal to High.

EXAMPLE 4: Monitoring Two Supply Voltages (with hysteresis, reset output and $\overline{\text{NMI}}$)



Example : Comp. 1, Comp. 2
: MB4204, MB47393

- Notes :
- The 5 V supply voltage is monitored by the MB3773.
 - The 12 V supply voltage is monitored by the external circuit. Its output is connected to the $\overline{\text{NMI}}$ terminal and, when voltage drops, Comp. 2 interrupts the logic circuit.
 - Use V_{CC1} (= 5 V) to power the comparators (Comp. 1 and Comp. 2) in the external circuit shown above.
 - The detection voltage of the V_{CC2} (= 12 V) supply voltage is approximately 9.2 V/9.4 V and has a hysteresis width of approximately 0.2 V.
 V_{CC2} detection voltage and hysteresis width can be found using the following formulas:

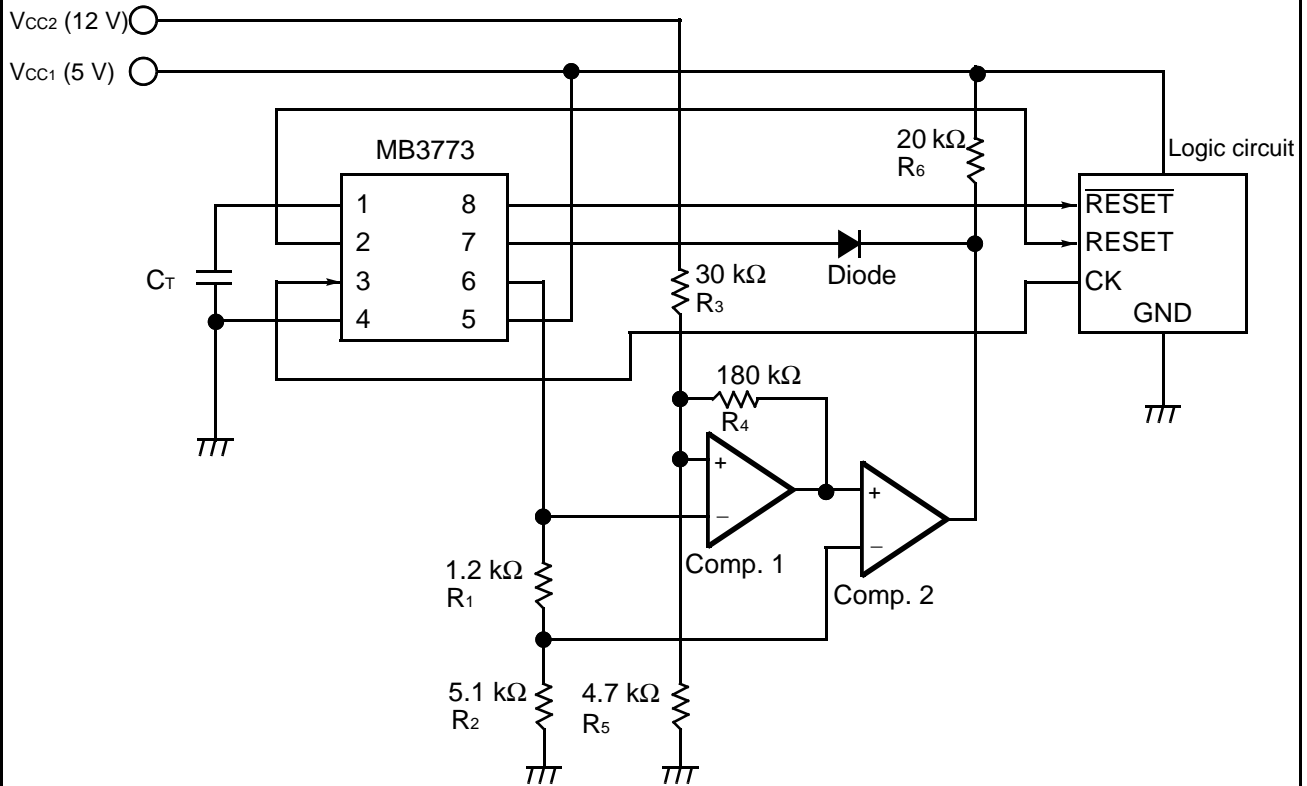
$$\rightarrow \text{Detection voltage } V_{2H} = \frac{R_3 + (R_4 // R_5)}{R_4 // R_5} \times V_{REF} \quad (\text{Approximately } 9.4 \text{ V in the above illustration})$$

$$V_{2L} = \frac{R_3 + R_5}{R_5} \times V_{REF} \quad (\text{Approximately } 9.2 \text{ V in the above illustration})$$

$$\rightarrow \text{Hysteresis width } V_{HYS} = V_{2H} - V_{2L}$$

MB3773

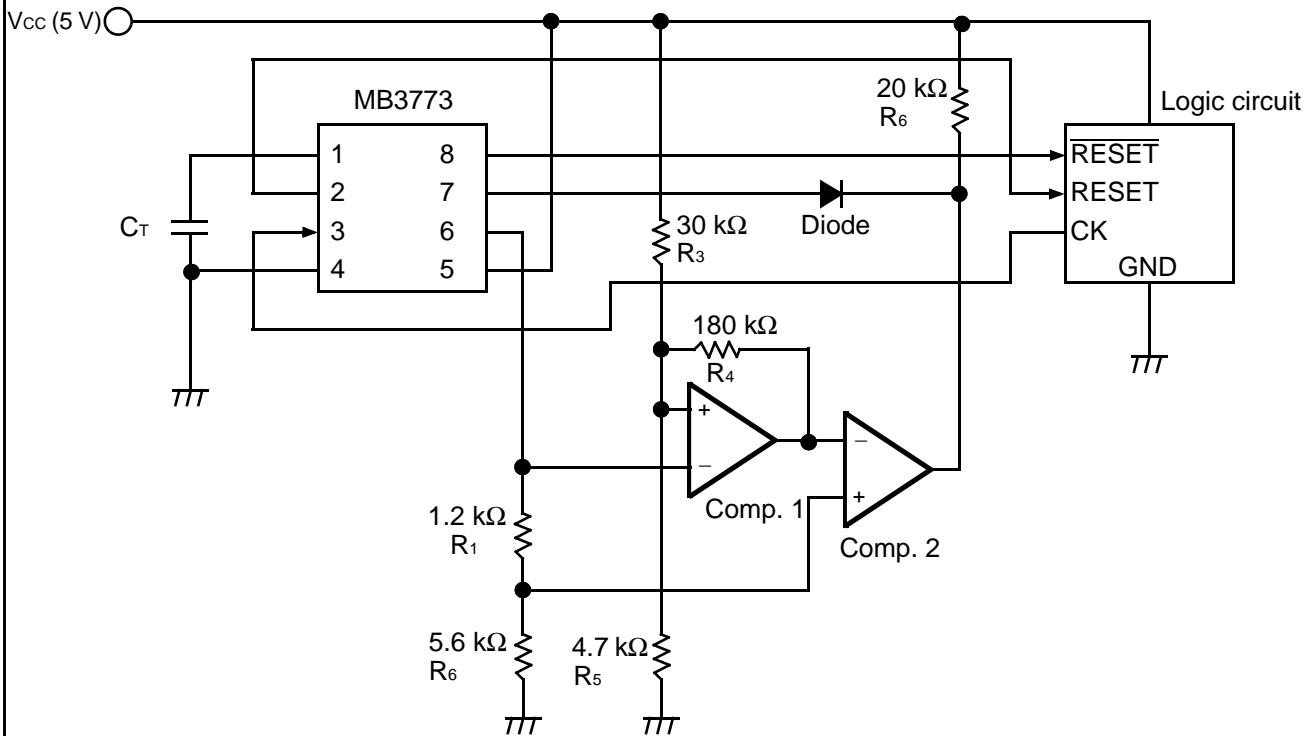
EXAMPLE 5: Monitoring Two Supply Voltages (with hysteresis and reset output)



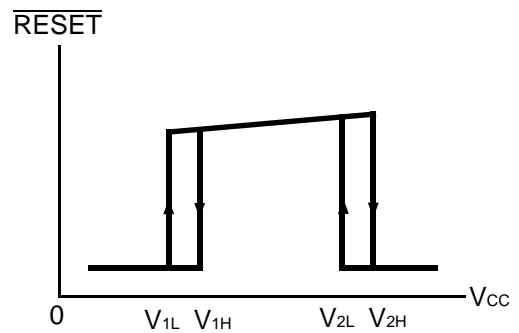
Example : Comp. 1, Comp. 2
: MB4204, MB47393

- Notes :
- When either 5 V or 12 V supply voltage decreases below its detection voltage (V_{SL}), the MB3773 RESET terminal is set to High and the MB3773 \overline{RESET} terminal is set to Low.
 - Use V_{CC1} (= 5 V) to power the comparators (Comp. 1 and Comp. 2) in the external circuit shown above.
 - The detection voltage of the V_{CC2} (= 12 V) supply voltage is approximately 9.2 V/9.4 V and has a hysteresis width of approximately 0.2 V. For the formulas for finding hysteresis width and detection voltage, see section 4.

EXAMPLE 6: Monitoring Low voltage and Overvoltage Monitoring (with hysteresis)

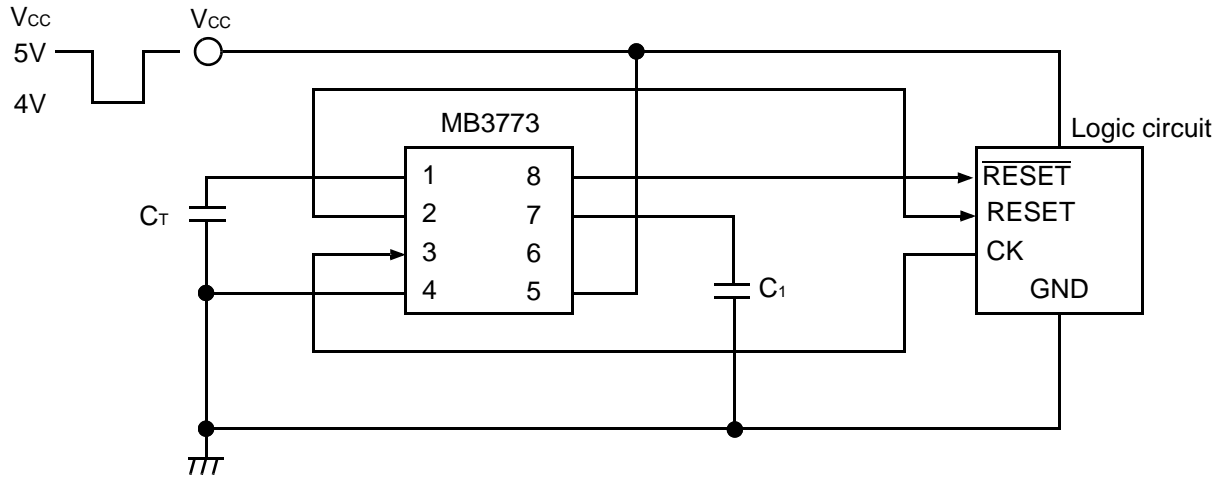


Example : Comp. 1, Comp. 2
: MB4204, MB47393



- Notes :
- Comp. 1 and Comp. 2 are used to monitor for overvoltage while the MB3773 is used to monitor for low voltage. Detection voltages V_{1L}/V_{1H} at the time of low voltage are approximately 4.2 V/4.3 V. Detection voltages V_{2L}/V_{2H} at the time of overvoltage are approximately 6.0 V/6.1 V. For the formulas for finding hysteresis width and detection voltage, see EXAMPLE 4.
 - Use V_{CC} (= 5 V) to power the comparators (Comp. 1 and Comp. 2) in the external circuit shown above.

EXAMPLE 7: Monitoring Supply Voltage Using Delayed Trigger



Note : Adding voltage such as shown in the figure to V_{CC} increases the minimum input pulse width by $50 \mu\text{s}$ ($C_1 = 1000 \text{ pF}$).

EXAMPLE 8: Stopping Watch-dog Timer (Monitoring only supply voltage)

These are example application circuits in which the MB3773 monitors supply voltage alone without resetting the microprocessor even if the latter, used in standby mode, stops sending the clock pulse to the MB3773.

- The watch-dog timer is inhibited by clamping the C_T terminal voltage to V_{REF} .

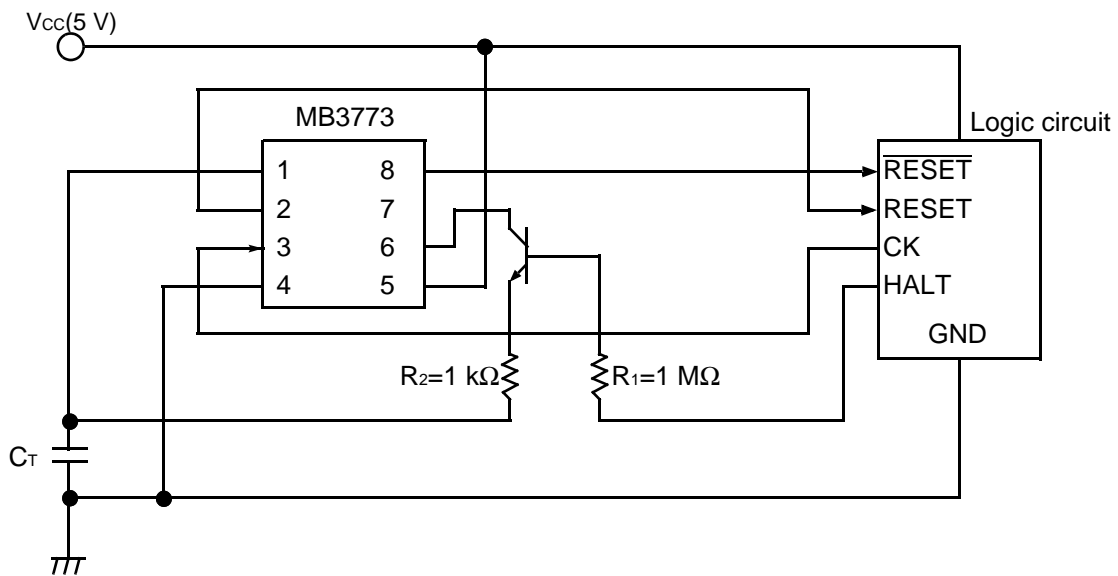
The supply voltage is constantly monitored even while the watch-dog timer is inhibited.

For this reason, a reset signal is output at the occurrence of either instantaneous disruption or a sudden drop to low voltage.

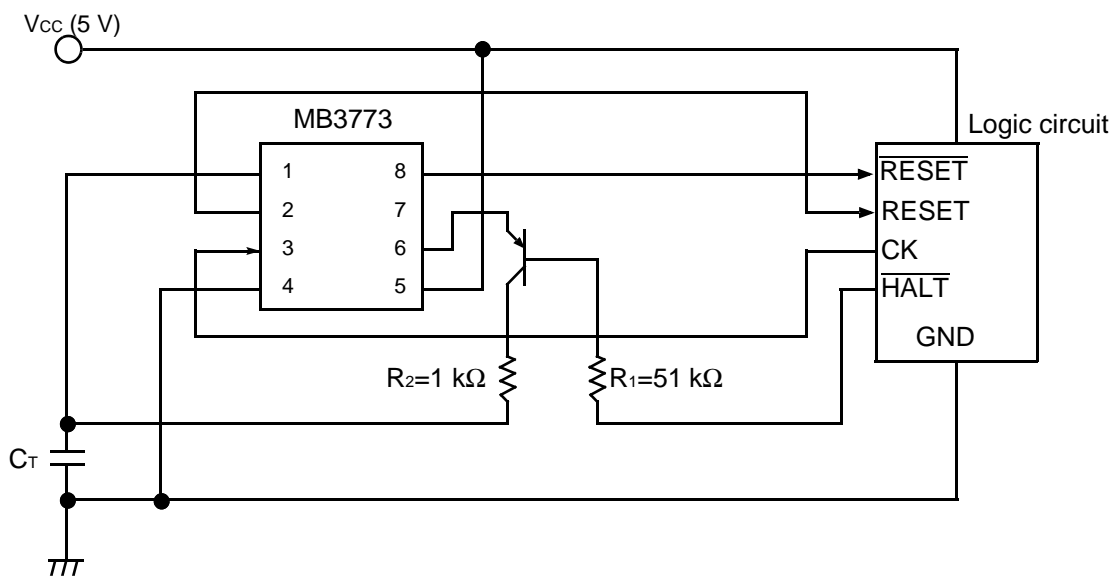
Note that in application examples (a) and (b), the hold signal is inactive when the watch-dog timer is inhibited at the time of resetting.

If the hold signal is active when the microprocessor is reset, the solution is to add a gate, as in examples (c) and (d).

(a) Using NPN transistor



(b) Using PNP transistor

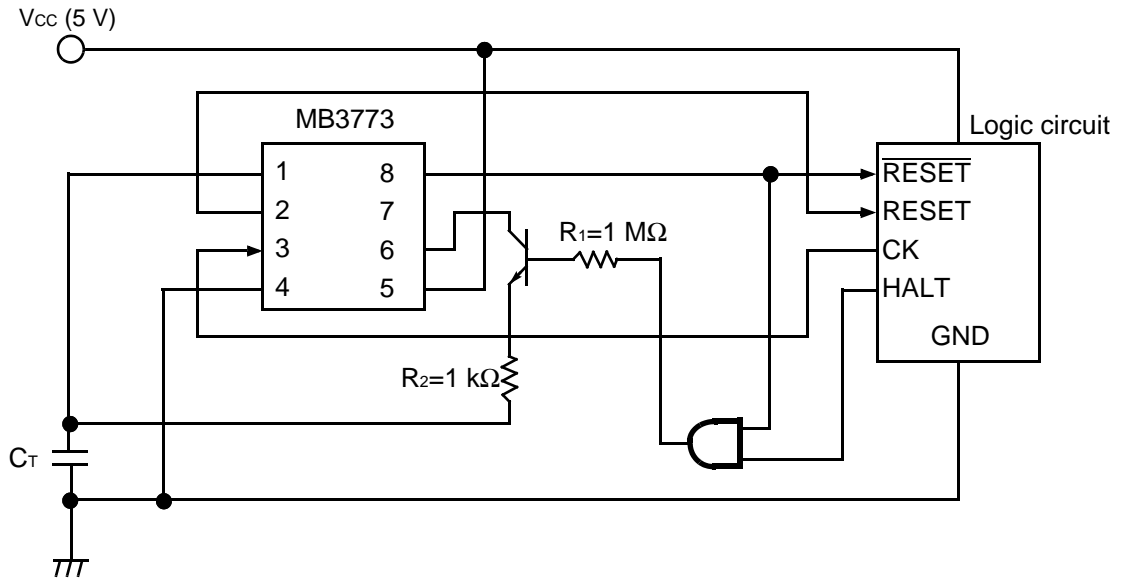


(Continued)

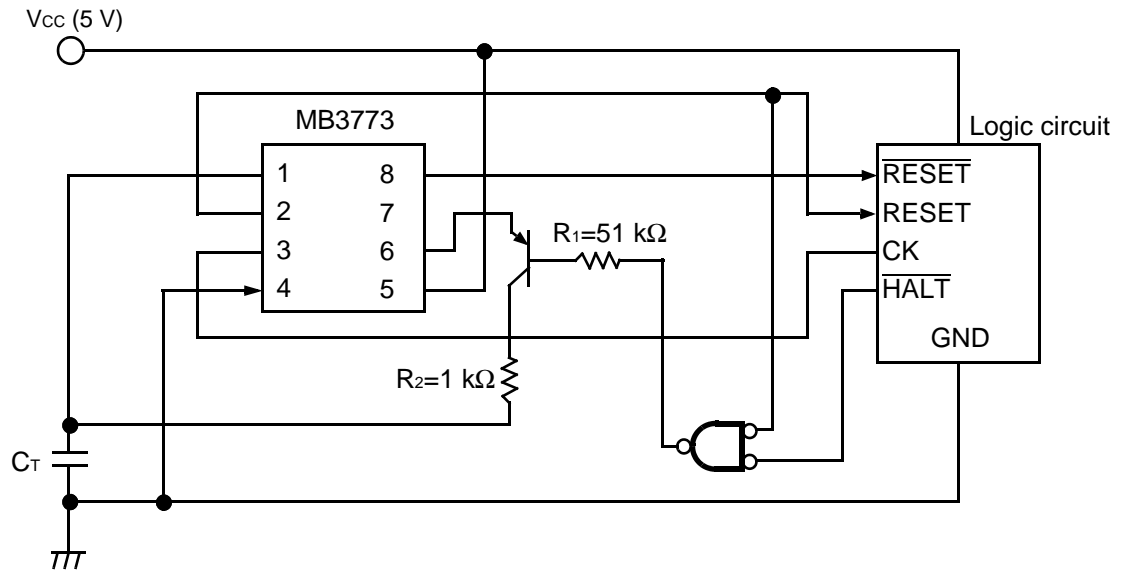
MB3773

(Continued)

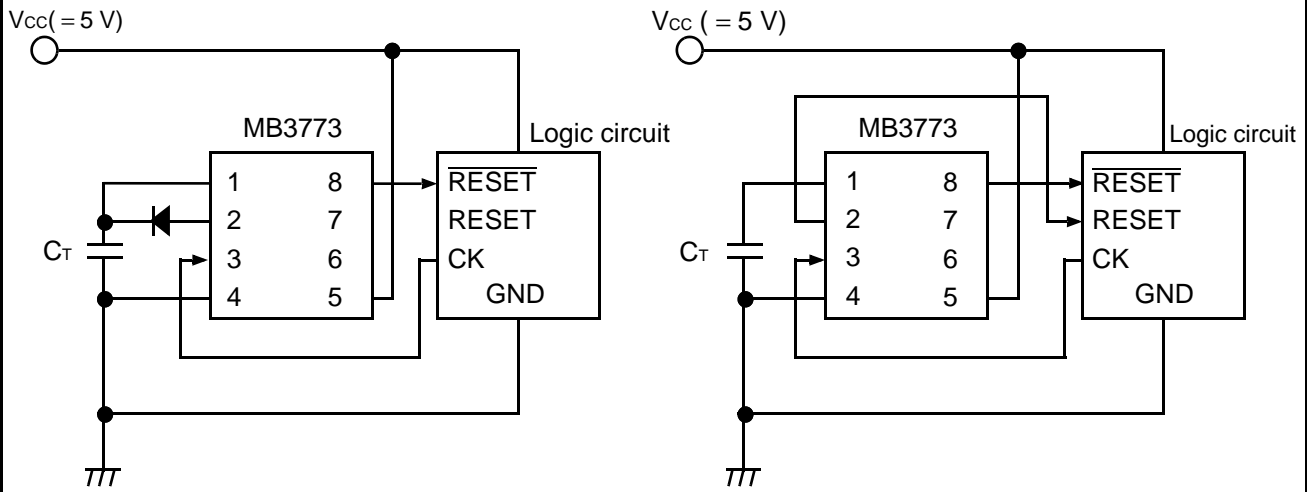
(c) Using NPN transistor



(d) Using PNP transistor



EXAMPLE 9: Reducing Reset Hold Time



(a) T_{PR} reduction method

(b) Standard usage

- Notes :
- $\overline{\text{RESET}}$ is the only output that can be used.
 - Standard T_{PR} , T_{WD} and T_{WR} value can be found using the following formulas.
 Formulas: $T_{PR} \text{ (ms)} \doteq 100 \times C_T \text{ (}\mu\text{F)}$
 $T_{WD} \text{ (ms)} \doteq 100 \times C_T \text{ (}\mu\text{F)}$
 $T_{WR} \text{ (ms)} \doteq 16 \times C_T \text{ (}\mu\text{F)}$
 - The above formulas become standard values in determining T_{PR} , T_{WD} and T_{WR} .
 Reset hold time is compared below between the reduction circuit and the standard circuit.

$C_T = 0.1 \mu\text{F}$

	T_{PR} reduction circuit	Standard circuit
$T_{PR} \doteq$	10 ms	100 ms
$T_{WD} \doteq$	10 ms	10 ms
$T_{WR} \doteq$	1.6 ms	2.0 ms

EXAMPLE 10: Circuit for Monitoring Multiple Microprocessor

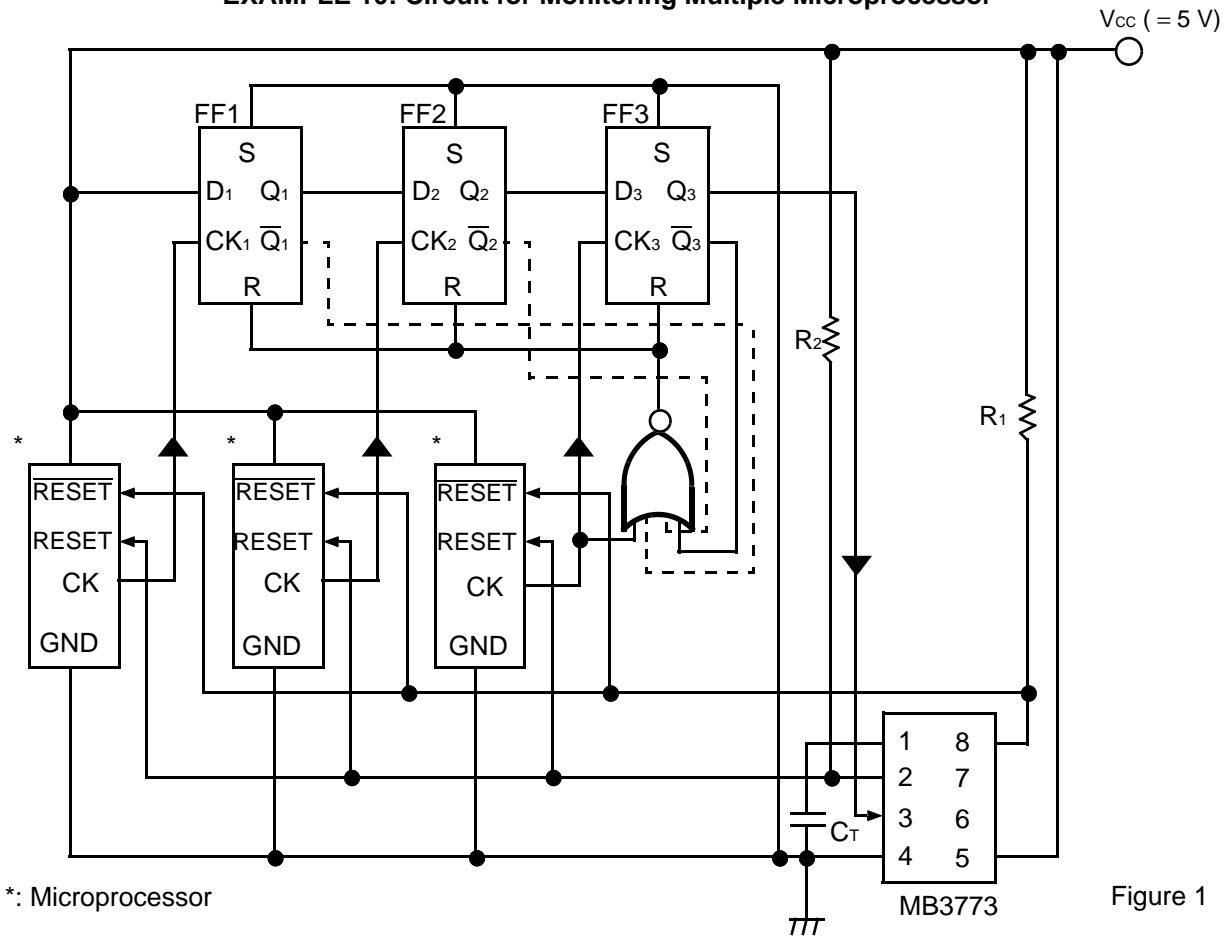


Figure 1

- Notes :
- - - - - connects from FF1 and FF2 outputs \bar{Q}_1 and \bar{Q}_2 to the NOR input.
 - Depending on timing, these connections may not be necessary.
 - Example : $R_1 = R_2 = 2.2 \text{ k}\Omega$
 $C_T = 0.1 \text{ }\mu\text{F}$

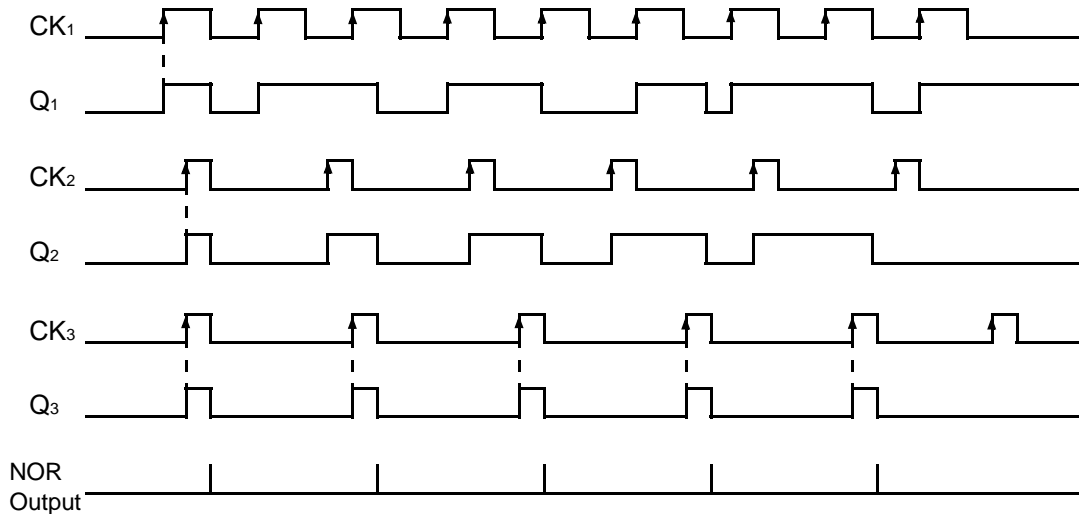


Figure 2

Description of Application Circuits

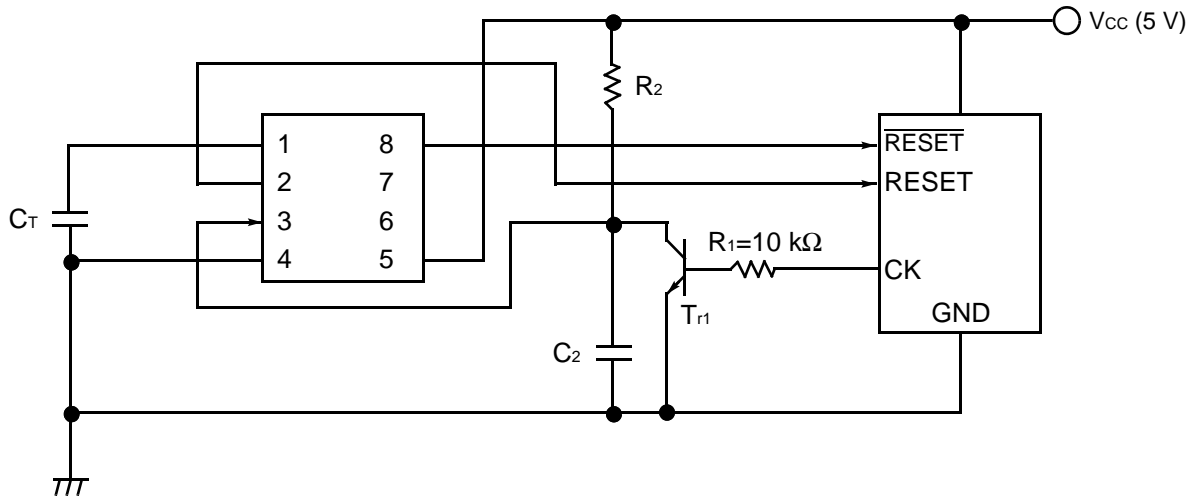
Using one MB3773, this application circuit monitors multiple microprocessor in one system. Signals from each microprocessor are sent to FF1, FF2 and FF3 clock inputs. Figure 2 shows these timings. Each flip-flop operates using signals sent from microprocessor as its clock pulse. When even one signal stops, the relevant receiving flip-flop stops operating. As a result, cyclical pulses are not generated at output Q₃. Since the clock pulse stops arriving at the CK terminal of the MB3773, the MB3773 generates a reset signal.

Note that output Q₃ frequency f will be in the following range, where the clock frequencies of CK1, CK2 and CK3 are f_1 , f_2 and f_3 respectively.

$$\Rightarrow \frac{1}{f_0} \leq \frac{1}{f} \leq \frac{1}{f_1} + \frac{1}{f_2} + \frac{1}{f_3}$$

where f_0 is the lowest frequency among f_1 , f_2 and f_3 .

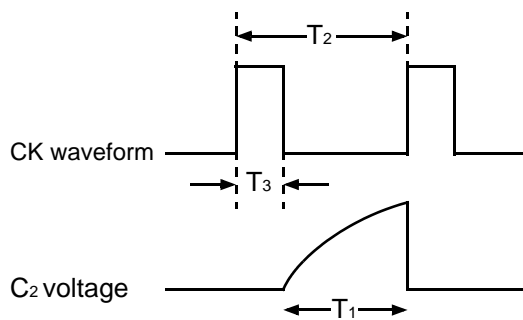
EXAMPLE 11: Circuit for Limiting Upper Clock Input Frequency



- Notes :
- This is an example application to limit upper frequency f_H of clock pulses sent from the microprocessor.
If the CK cycle sent from the microprocessor exceeds f_H , the circuit generates a reset signal. (The lower frequency has already been set using C_T .)
 - When a clock pulse such as shown below is sent to terminal CK, a short T_2 prevents C_2 voltage from reaching the CK input threshold level (≈ 1.25 V), and will cause a reset signal to be output. The T_1 value can be found using the following formula :

$$T_1 \approx 0.3 C_2 R_2$$

where $V_{CC} = 5$ V, $T_3 \geq 3.0$ μ s, $T_2 \geq 20$ μ s



Example : Setting C and R allow the upper T_1 value to be set (See the table below).

C	R	T_1
0.01 μ F	10 k Ω	30 μ s
0.1 μ F	10 k Ω	300 μ s

■ NOTES ON USE

- Take account of common impedance when designing the earth line on a printed wiring board.
- Take measures against static electricity.
 - For semiconductors, use antistatic or conductive containers.
 - When storing or carrying a printed circuit board after chip mounting, put it in a conductive bag or container.
 - The work table, tools and measuring instruments must be grounded.
 - The worker must put on a grounding device containing 250 kΩ to 1 MΩ resistors in series.
- Do not apply a negative voltage
 - Applying a negative voltage of -0.3 V or less to an LSI may generate a parasitic transistor, resulting in malfunction.

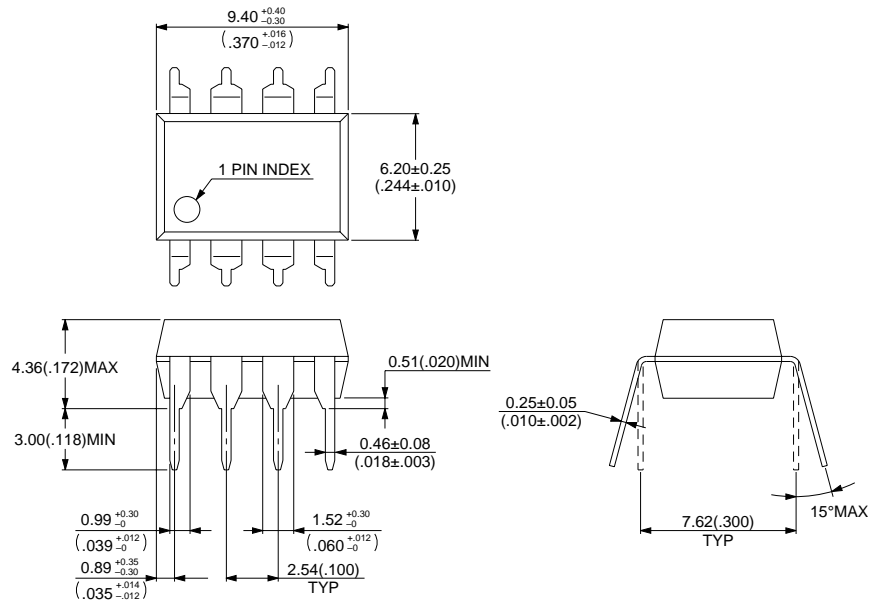
■ ORDERING INFORMATION

Part number	Package	Remarks
MB3773P	8-pin plastic DIP (DIP-8P-M01)	
MB3773PS	8-pin plastic SIP (SIP-8P-M03)	
MB3773PF	8-pin plastic SOP (FPT-8P-M01)	

MB3773

■ PACKAGE DIMENSIONS

8-pin plastic DIP
(DIP-8P-M01)



© 1994 FUJITSU LIMITED D08006S-2C-3

Dimensions in mm (inches) .

Note : The values in parentheses are reference values.

(Continued)

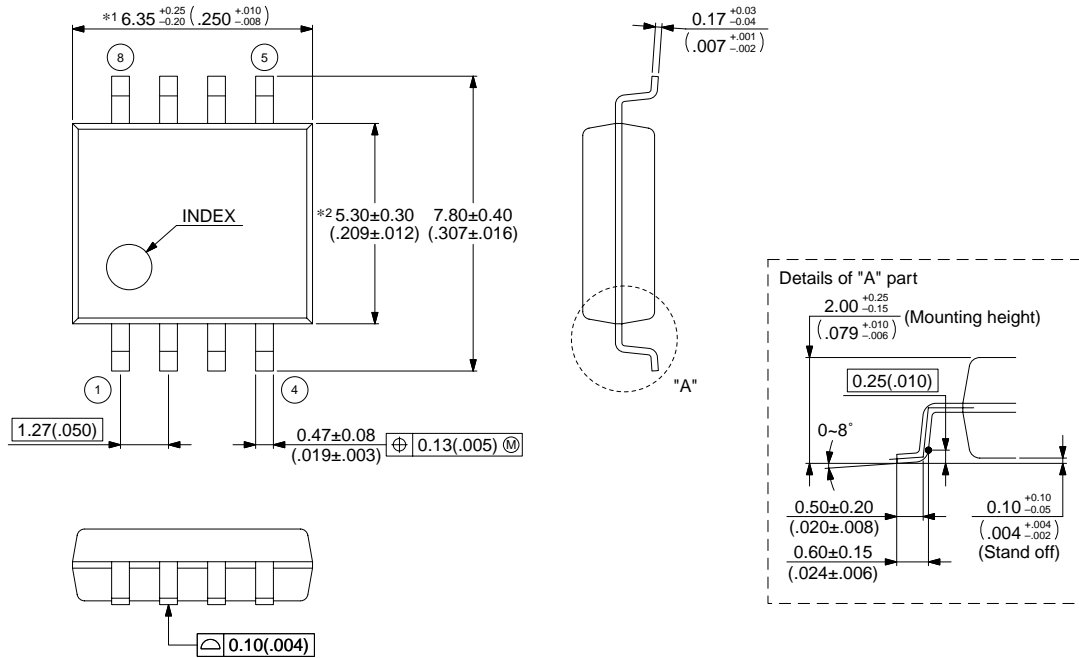
8-pin plastic FPT (FPT-8P-M01)

Note 1 : *1 : These dimensions include resin protrusion.

Note 2 : *2 : These dimensions do not include resin protrusion.

Note 3 : Pins width and pins thickness include plating thickness.

Note 4 : Pins width do not include tie bar cutting remainder.



© 2002 FUJITSU LIMITED F08002S-c-6-7

Dimensions in mm (inches) .

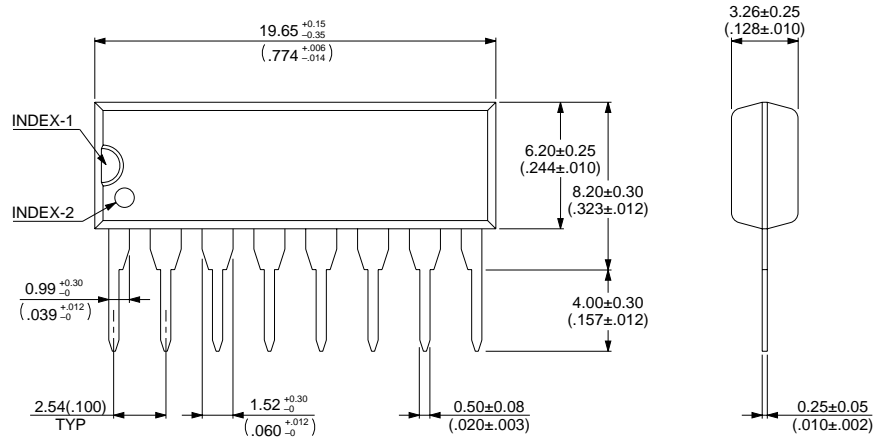
Note : The values in parentheses are reference values.

(Continued)

MB3773

(Continued)

8-pin plastic SIP
(SIP-8P-M03)



© 1994 FUJITSU LIMITED S08010S-3C-2

Dimensions in mm (inches) .

Note : The values in parentheses are reference values.

FUJITSU LIMITED

All Rights Reserved.

The contents of this document are subject to change without notice. Customers are advised to consult with FUJITSU sales representatives before ordering.

The information, such as descriptions of function and application circuit examples, in this document are presented solely for the purpose of reference to show examples of operations and uses of Fujitsu semiconductor device; Fujitsu does not warrant proper operation of the device with respect to use based on such information. When you develop equipment incorporating the device based on such information, you must assume any responsibility arising out of such use of the information. Fujitsu assumes no liability for any damages whatsoever arising out of the use of the information.

Any information in this document, including descriptions of function and schematic diagrams, shall not be construed as license of the use or exercise of any intellectual property right, such as patent right or copyright, or any other right of Fujitsu or any third party or does Fujitsu warrant non-infringement of any third-party's intellectual property right or other right by using such information. Fujitsu assumes no liability for any infringement of the intellectual property rights or other rights of third parties which would result from the use of information contained herein.

The products described in this document are designed, developed and manufactured as contemplated for general use, including without limitation, ordinary industrial use, general office use, personal use, and household use, but are not designed, developed and manufactured as contemplated (1) for use accompanying fatal risks or dangers that, unless extremely high safety is secured, could have a serious effect to the public, and could lead directly to death, personal injury, severe physical damage or other loss (i.e., nuclear reaction control in nuclear facility, aircraft flight control, air traffic control, mass transport control, medical life support system, missile launch control in weapon system), or (2) for use requiring extremely high reliability (i.e., submersible repeater and artificial satellite).

Please note that Fujitsu will not be liable against you and/or any third party for any claims or damages arising in connection with above-mentioned uses of the products.

Any semiconductor devices have an inherent chance of failure. You must protect against injury, damage or loss from such failures by incorporating safety design measures into your facility and equipment such as redundancy, fire protection, and prevention of over-current levels and other abnormal operating conditions.

If any products described in this document represent goods or technologies subject to certain restrictions on export under the Foreign Exchange and Foreign Trade Law of Japan, the prior authorization by Japanese government will be required for export of those products from Japan.